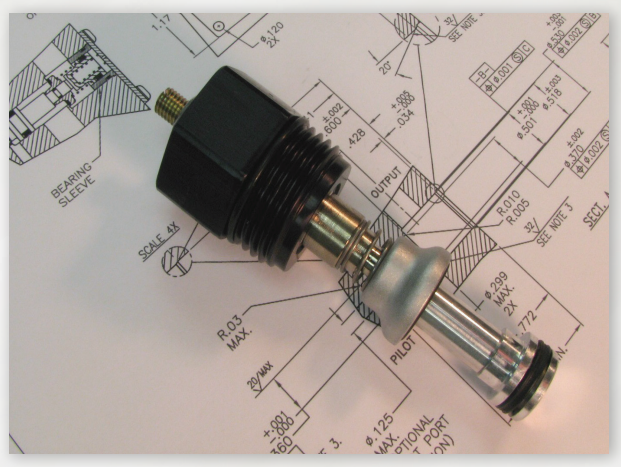


Pneumatic Cartridge Valve with Flow Control for a Manifold, Cv=4



- High Flow, Cv=4 Max.
- Flow Control
- .000113 cc/min Leak Rate
- Insert From One Side
- Easy Repair

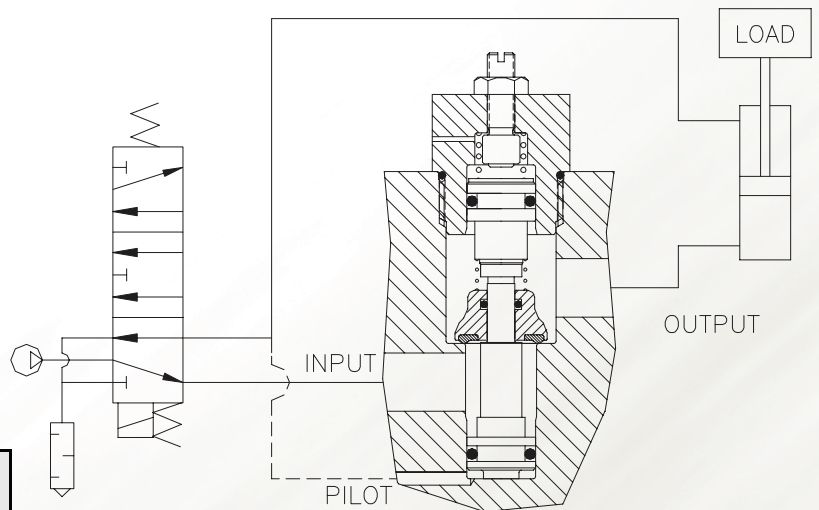
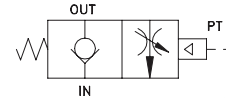
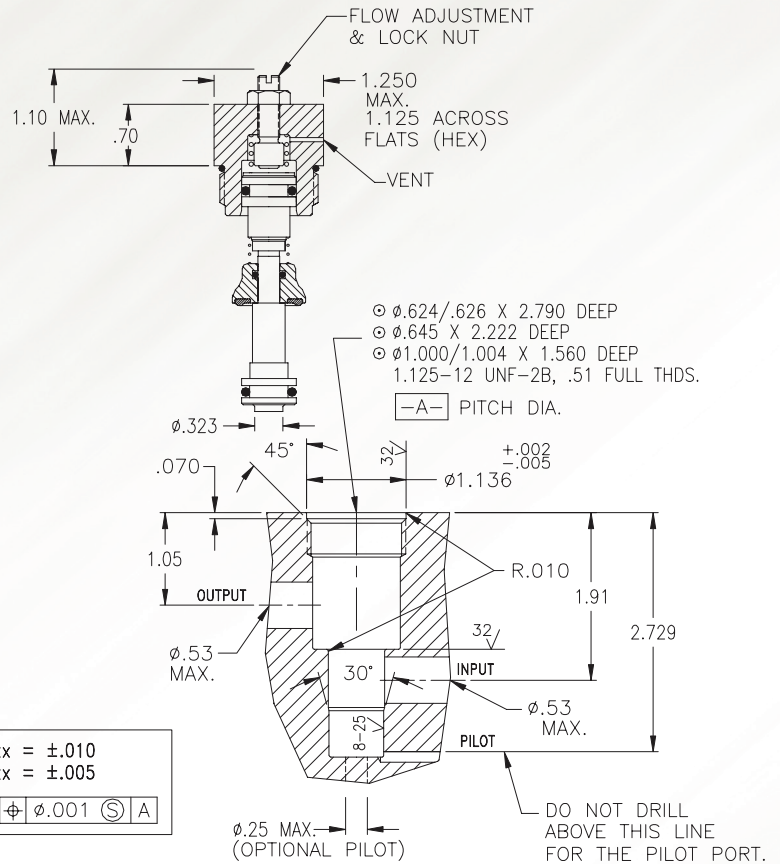
Basic Operation:

Lock your pneumatic device in position when a pressure drop or total loss of pressure occurs. Air flow is metered from the Output to the Input port.

Operating Data:

| | |
|--------------------------|----------------------------------------------|
| Max. Pressure: | 150 psi |
| Min. Pilot Pressure: | 40 psi |
| | 25 psi (K18 suffix) |
| Leak Rate: | .000113 cc/min |
| Temp. Range: | -20 to 150 F (Nitrile) |
| Cycle Rate: | 1 cyc./sec. max. |
| Max. Flow Capacity (Cv): | 4.0 |
| Cracking Pressure: | 1-3 psi |
| Service: | Properly filtered dry air or lubricated air. |

| No. of Turns | Equivalent Dia (in.) | No. of Turns | Equivalent Dia (in.) |
|--------------|----------------------|--------------|----------------------|
| .25 | .15 | 1.75 | .40 |
| .50 | .21 | 2.00 | .43 |
| .75 | .26 | 2.25 | .45 |
| 1.0 | .30 | 2.50 | .48 |
| 1.25 | .34 | 2.75 | .50 |
| 1.50 | .37 | 3.00 | .53 |



| Description | Model |
|-------------------------------------------------|-------------------|
| Cartridge, Adjustable Cap & Spring | BC5MNFL |
| Cartridge, Adjustable Cap & Low Pressure Spring | BC5MNFLK18 |