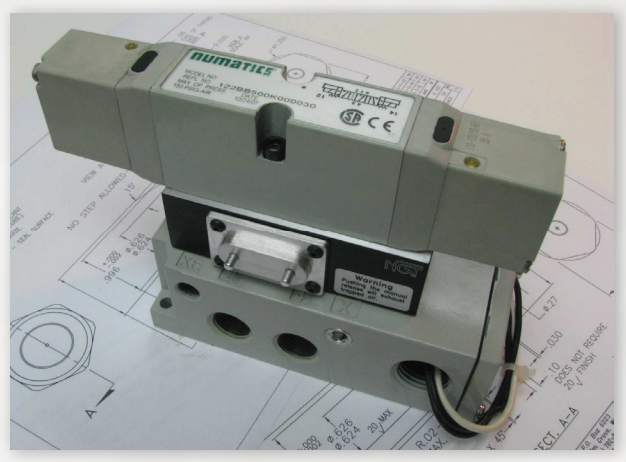


Dual Locking Valve w/ Manual Release - For Numatics 2012 Series Valves

Patents Pending



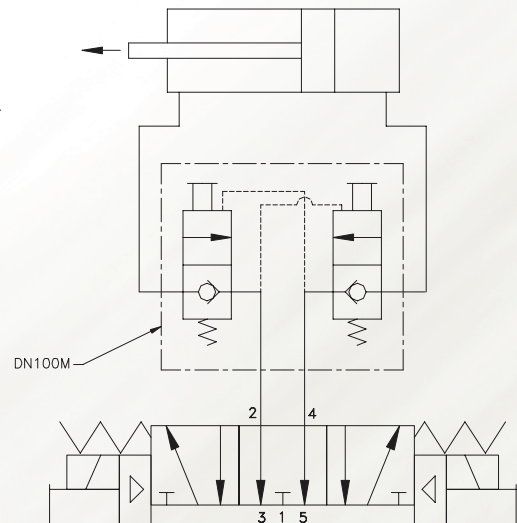
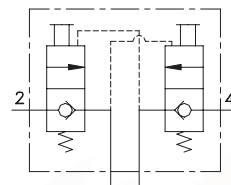
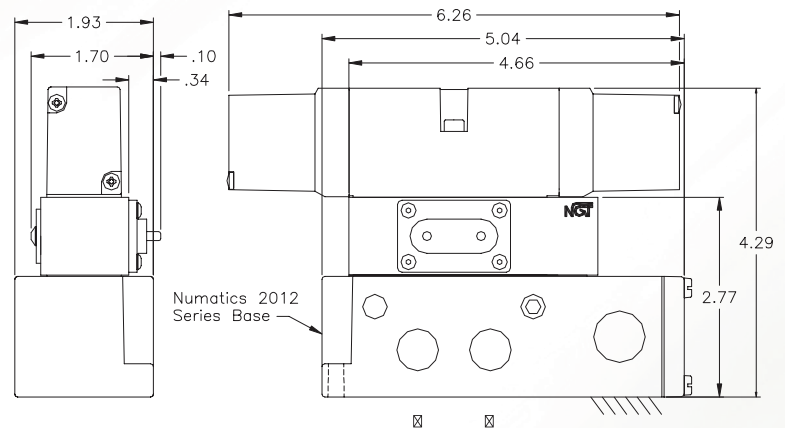
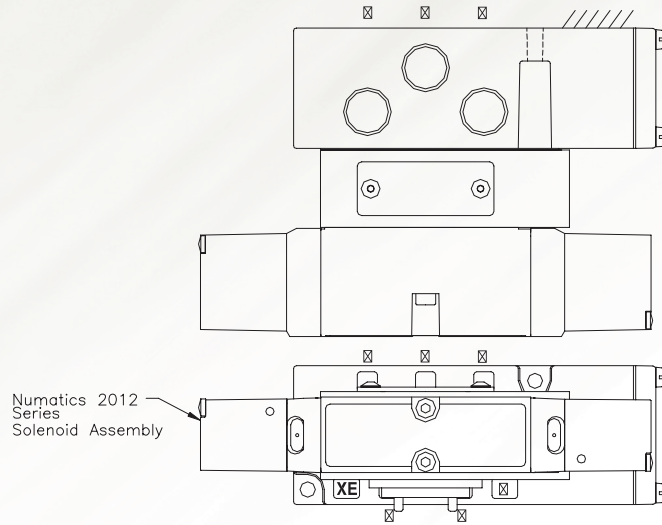
- Dual Manual Release
- .000113 cc/min. Leak Rate
- Direct Mount to 2012 Base
- Locks in 2 Directions
- Compact Design
- No Extra Plumbing
- Quick Assembly (5 min)

Basic Operation:

In the event of a pressure loss air pressure is locked in both the output ports (2 and 4). Eliminates drift due to leaky spools. The manual release allows the release of trapped air from both ports independently (OSHA requirement).

Operating Data:

Min. / Max. Pressure:	30-150 psi
Temp. Range:	20-150 F
Leak Rate:	.000113 cc/min.
Cycle Rate:	1 cyc./sec. max.
Flow Capacity (Cv):	1.2
Cracking Pressure:	2-3 psi
Service:	Properly filtered dry air or lubricated air.
Solenoid:	3-position 4-way open center



DOUBLE SOLENOID AIR PILOT
3 POSITION 4-WAY OPEN CENTER