

# Specification/Specification/Especificacion/Specifikasjon

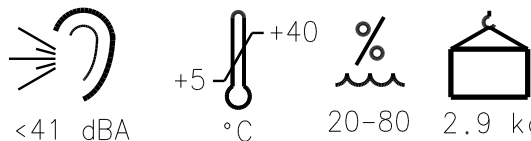
Model/Modelo/Modelo/Modell

**GAST**  
A UNIT OF IDEX CORPORATION

PART NO.: VTD118

REV.: E

Ref	V	A	W	Hz
DDL40B-101	120	.99	47	60



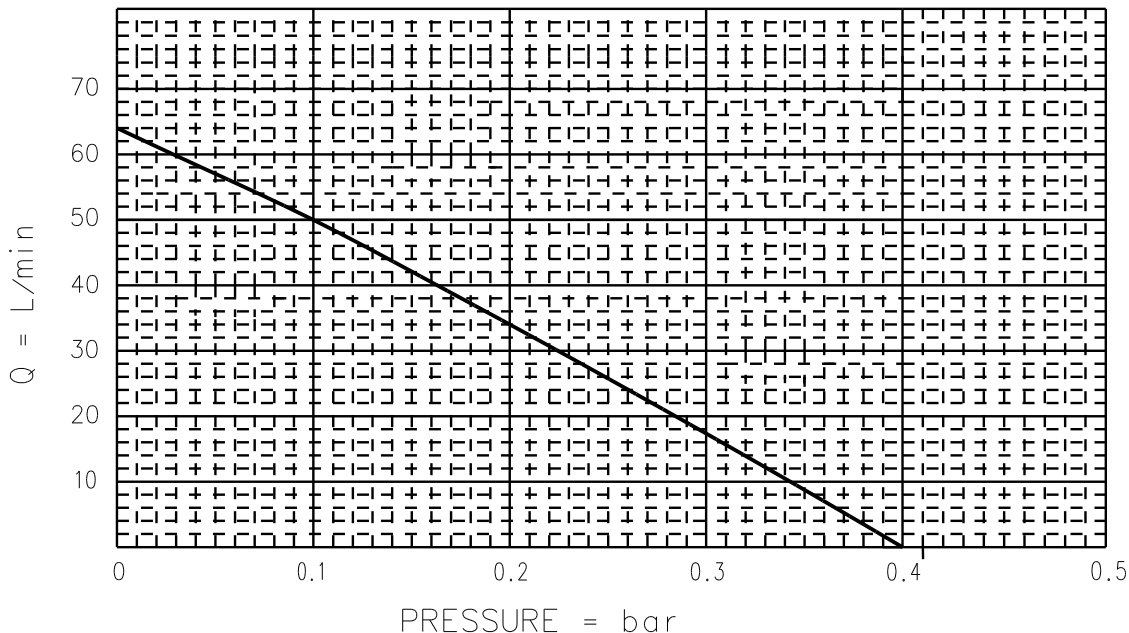
Performance/Rendimiento/Prestanda

<41 dBA

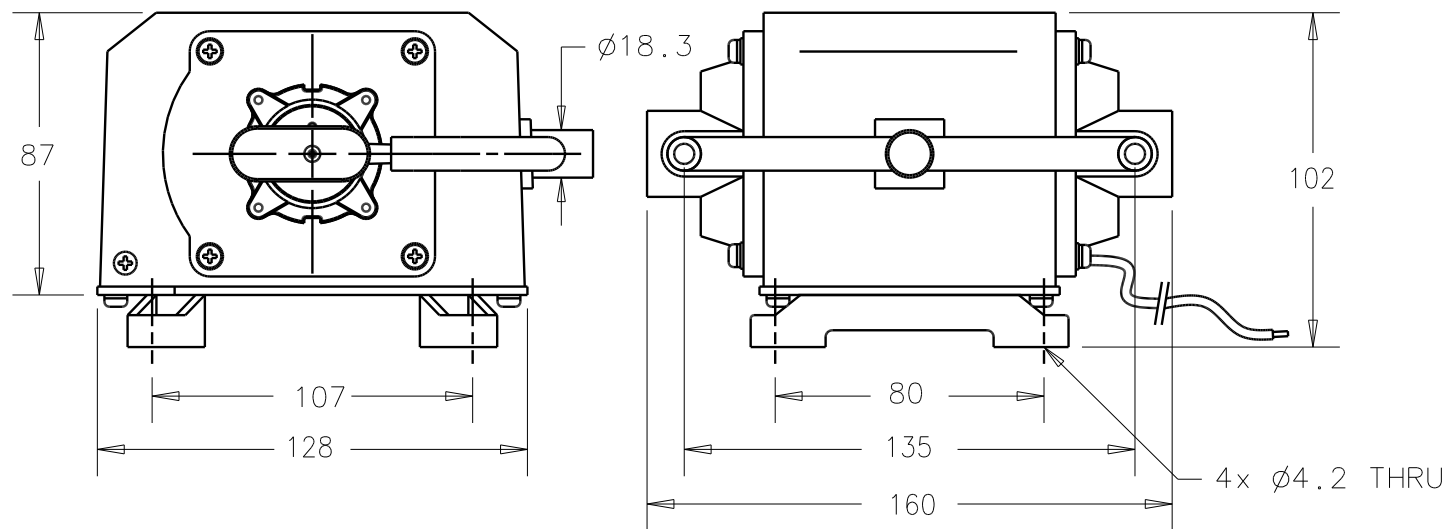
+5 °C

20-80

2.9 kg



Dimensions/Dimensioner (mm)



NOTE: TECHNICAL DATA SUBJECT TO CHANGE WITHOUT NOTICE.