

GAST

A UNIT OF IDEX CORPORATION
BENTON HARBOR, MI U.S.A.



10D1125-101-1053

MODEL NUMBER

VTD032

5-9-00

DATE

PART NUMBER

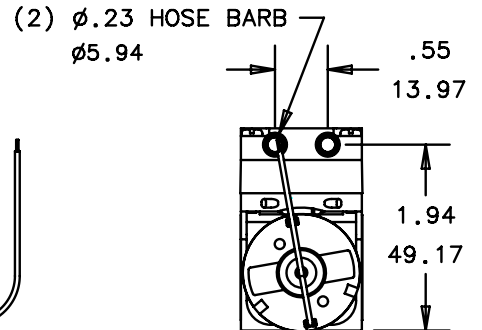
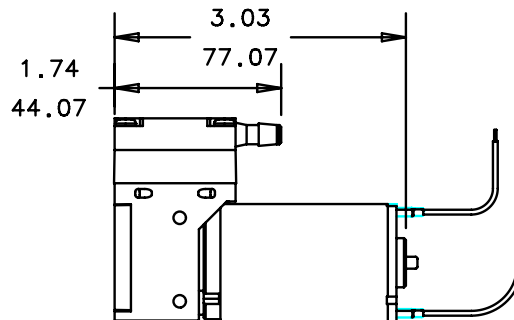
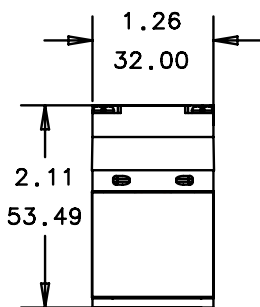
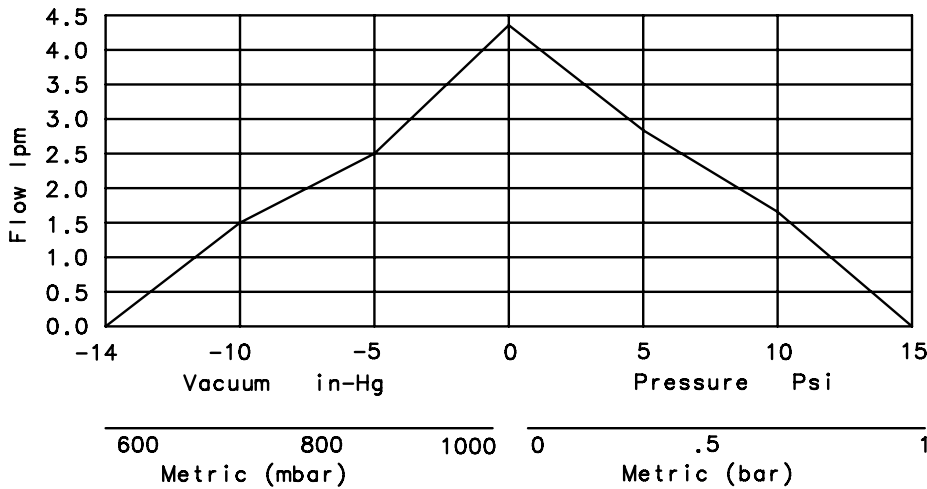
PRODUCT SPECIFICATION

3400	<70dBa	0°C-40°C	10-95	0.23 Kg

MOTOR	24V	REVISION
FREQUENCY	N/A	D
MAX AMP DRAW	.3	CHANGE NUMBER
MATERIAL	EPDM DIAPHRAGM AND VALVE	1402022 97634
ENVIRONMENT	CLEAN DUST FREE	
*TEMPERATURE	23°C/73.4°F	
*ATM PRESSURE	29.921 inHg/14.7psi	
INLET AIR DENSITY	.075 lbs/cu ft	

- NOTES:
1. ALL DIMENSIONS ARE FOR REFERENCE ONLY.
2. PRODUCT DIMENSION: U.S. IMPERIAL (inches)
METRIC (mm)

10D PERFORMANCE GRAPH



**PRODUCT PERFORMANCE MAY VARY ± 10% FROM PRODUCT PERFORMANCE CURVES.
TECHNICAL DATA SUBJECT TO CHANGE WITHOUT NOTICE.
*TEST CONDITIONS**