

GAST

A UNIT OF IDEX CORPORATION
BENTON HARBOR, MI U.S.A.

IDEX online



8R1110-101-1048

MODEL NUMBER

VTD024

4-7-00

DATE

PART NUMBER

PRODUCT SPECIFICATION

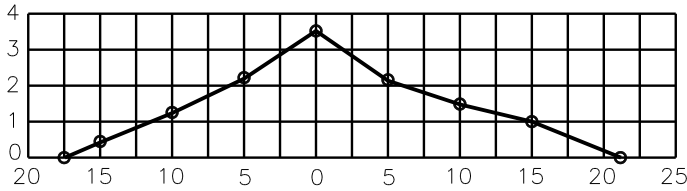
| | | | | |
|------|--------|----|-------|--------|
| | | | | |
| 3000 | <70dBα | °C | 10-95 | .23 Kg |

| | | |
|-------------------|-------------------|----------|
| MOTOR | 24V | REVISION |
| FREQUENCY | N/A | E |
| MAX AMP DRAW | .3 | |
| MATERIAL | EPDM VALVE | |
| ENVIRONMENT | CLEAN DUST FREE | |
| *TEMPERATURE | 23°C/73.4°F | |
| *ATM PRESSURE | 29.921nHg/14.7psi | |
| INLET AIR DENSITY | .075 LBS/CU FT | |

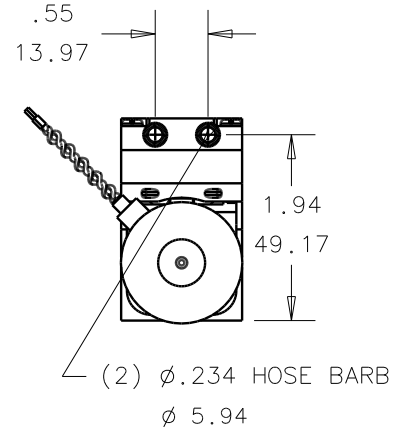
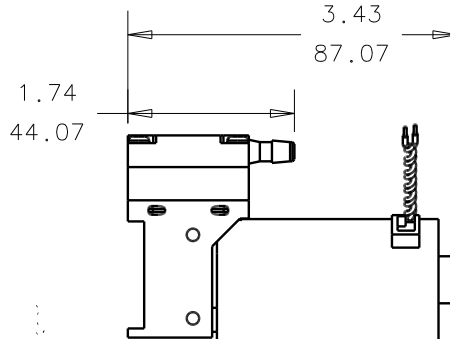
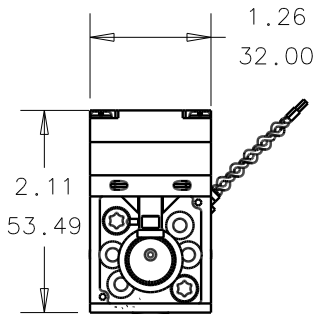
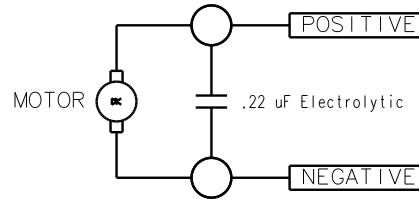
NOTES:

1. ALL DIMENSIONS ARE FOR REFERENCE ONLY.
2. PRODUCT DIMENSION: U.S. IMPERIAL (inches)
METRIC (mm)

8R PERFORMANCE GRAPH



8R 24V



PRODUCT PERFORMANCE MAY VARY ± 10% FROM PRODUCT PERFORMANCE CURVES.

TECHNICAL DATA SUBJECT TO CHANGE WITHOUT NOTICE.

*TEST CONDITIONS