

GAST

A UNIT OF IDEX CORPORATION
BENTON HARBOR, MI U.S.A.



10D1125-101-1052

MODEL NUMBER

VTD018

04-07-00

DATE

PART NUMBER

PRODUCT SPECIFICATION

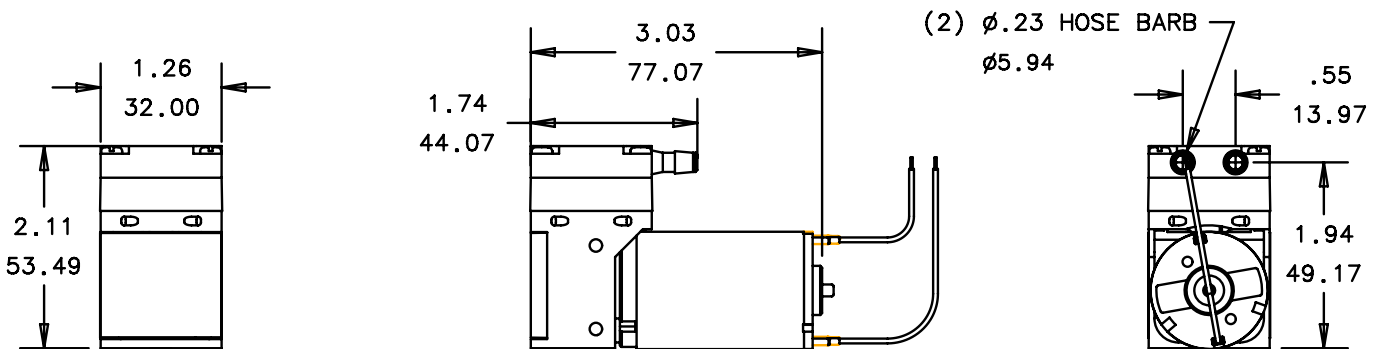
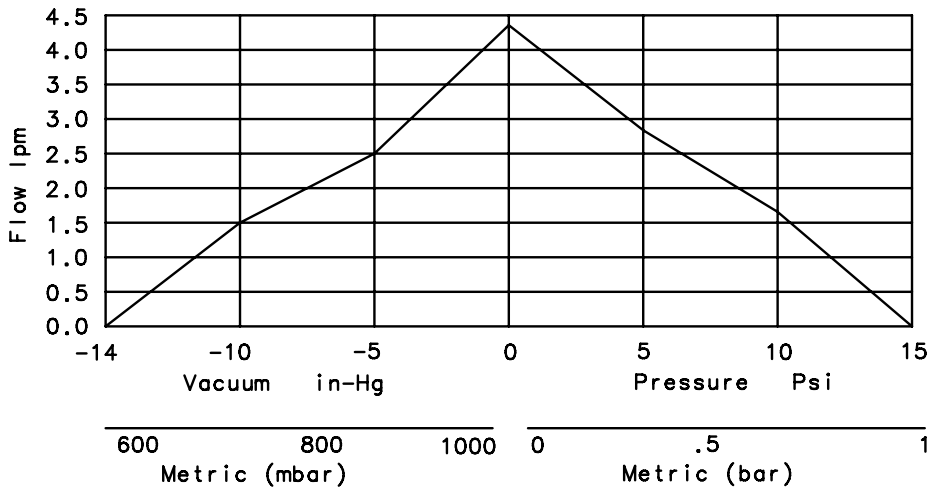
3400	<70dBa	°C	10-95	0,23 Kg

MOTOR	12V	REVISION
FREQUENCY	N/A	E
MAX AMP DRAW	0.3	
MATERIAL	EPDM DIAPHRAGM AND VALVE	
ENVIRONMENT	CLEAN DUST FREE	
*TEMPERATURE	23°C/73.4°F	
*ATM PRESSURE	29.921 inHg/14.7psi	
*INLET AIR DENSITY	0.075 lbs/cu ft	

NOTES:

1. ALL DIMENSIONS ARE FOR REFERENCE ONLY.
2. PRODUCT DIMENSION: U.S. IMPERIAL (inches)
METRIC (mm)

10D PERFORMANCE GRAPH



**PRODUCT PERFORMANCE MAY VARY \pm 10% FROM PRODUCT PERFORMANCE CURVES.
TECHNICAL DATA SUBJECT TO CHANGE WITHOUT NOTICE.**

***TEST CONDITIONS**