

GAST
A UNIT OF IDEX CORPORATION
BENTON HARBOR, MI U.S.A.

GAST MANUFACTURING
A UNIT OF IDEX CORPORATION
POST OFFICE BOX 97
BENTON HARBOR, MICHIGAN
PH: 269/926-6171
FAX: 269/925-8288

PART NUMBER:

VTDO15

REV.

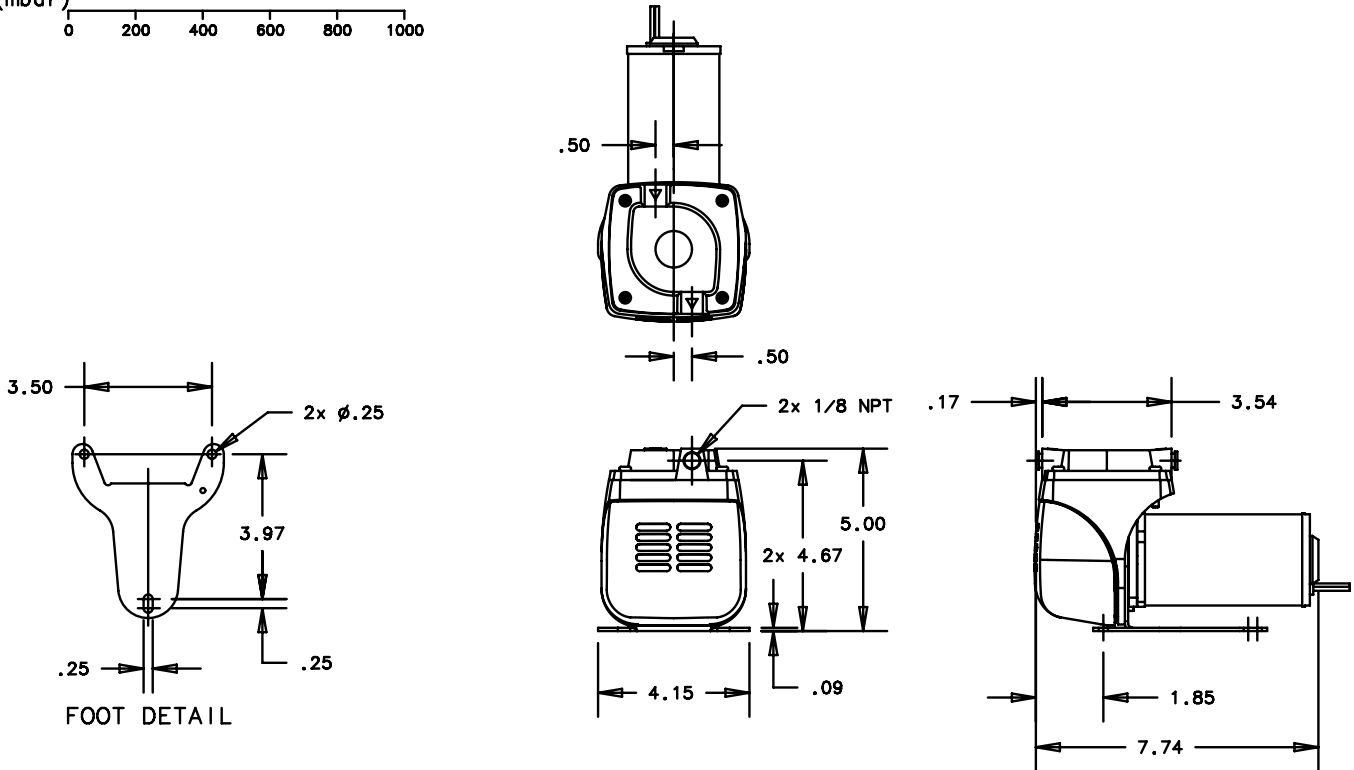
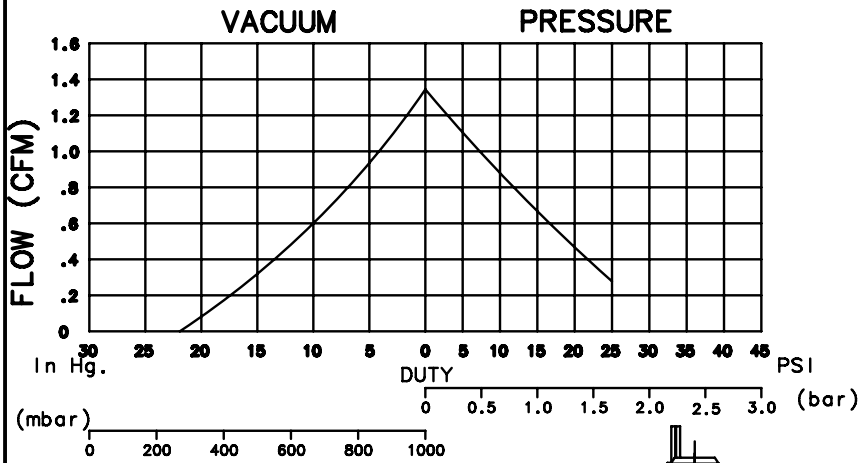
P

PRODUCT SPECIFICATION

3000	<70 db(A)	+0 °C	10% to 95%	4.9 lbs/2.21 kg

NOTES:

1. THIS PUMP MUST BE INSTALLED IN AN ENCLOSURE.
2. ALL DIMENSIONS ARE FOR REFERENCE USE ONLY.
3. TECHNICAL DATA SUBJECT TO CHANGE WITHOUT NOTICE.
4. ENVIROMENT: CLEAN DUST FREE.



MODEL NUMBER	MOTOR	HP	KW	AMPS	MODEL NUMBER	MOTOR	HP	KW	AMPS
22D1180-201-1002	12V DC	1/8	.09	8	22D1180-206-1002	12V DC	1/8	.09	8
22D1180-201-1005	24V DC	1/8	.09	4	22D1180-209-1002	12V DC	1/8	.09	8
22D1180-201-1066	12V DC	1/8	.09	8	22D1180-230-1002	12V DC	1/8	.09	8
22D1180-202-1005	24V DC	1/8	.09	4					
22D1180-205-1002	12V DC	1/8	.09	8					