



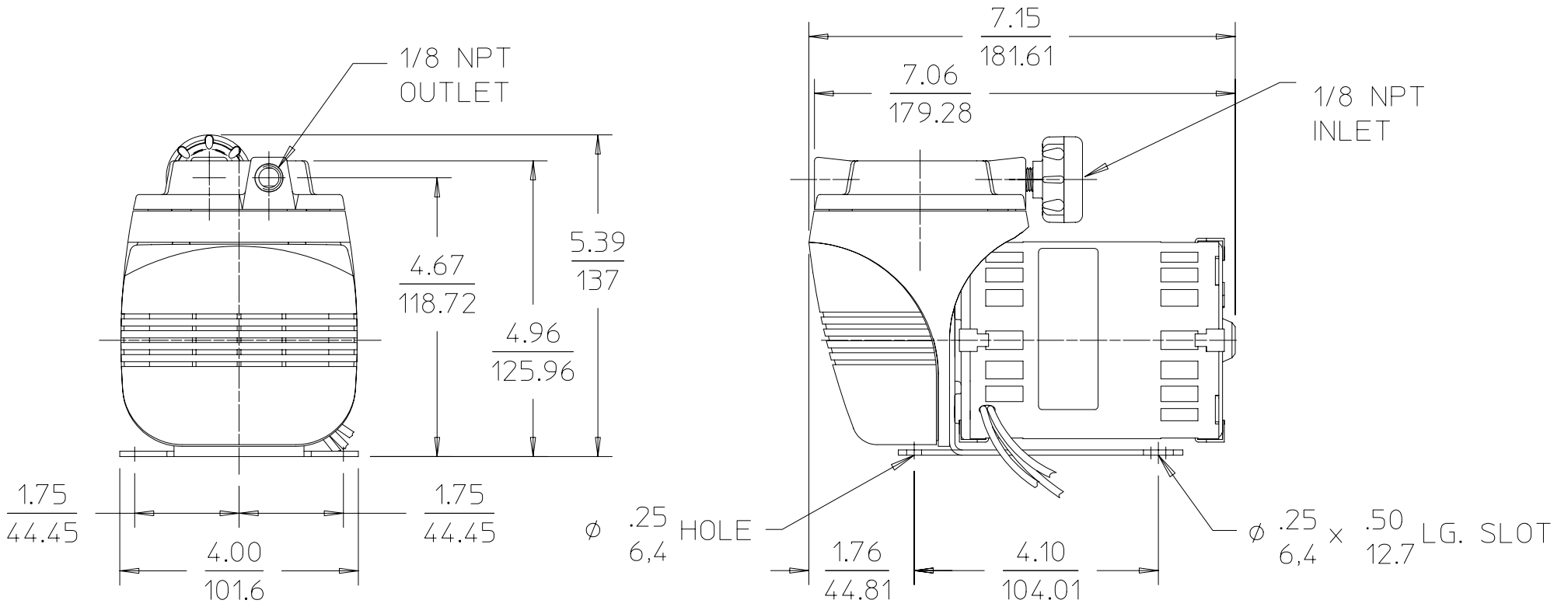
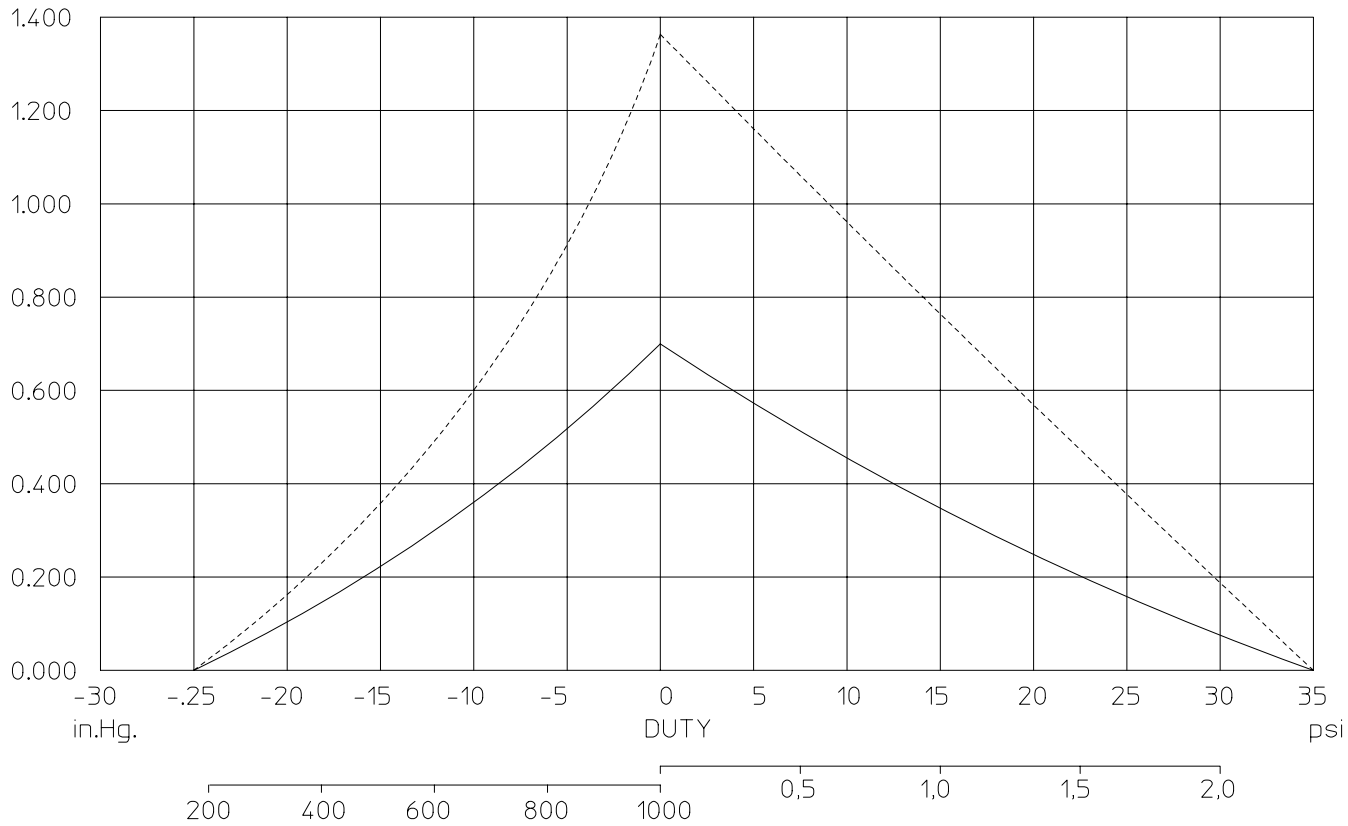
Post Office Box 97  
 Benton Harbor, Michigan  
 Ph: 269/926-6171  
 Fax: 269/925-8288

PART NUMBER: VT D014

REV. H

NORMAL OPERATING RPM: \_\_\_\_\_  
 SOUND LEVEL: \_\_\_\_\_ LESS THAN 70 dfB<sub>a</sub>  
 NORMAL AMBIENT MIN: \_\_\_\_\_ 0 C  
 NORMAL AMBIENT MAX: \_\_\_\_\_ 40 C  
 RELATIVE HUMIDITY MIN: \_\_\_\_\_ 10%  
 RELATIVE HUMIDITY MAX: \_\_\_\_\_ 95%

COMMENT: \_\_\_\_\_ THIS PUMP MUST BE INSTALLED  
 \_\_\_\_\_ INSIDE AN ENCLOSURE  
 ENVIROMENT: \_\_\_\_\_ CLEAN DUST FREE  
 LINE VOLTAGE: \_\_\_\_\_ VARIES, SEE INDIVIDUAL MODEL DESCRIPTIONS  
 INLET AIR DENSITY: \_\_\_\_\_ 0.075 lbs./cu ft  
 TEMPERATURE: \_\_\_\_\_ 23 C/73.4 F  
 ATM. PRESSURE: \_\_\_\_\_ 29.92 In Hg/14.7 psi



\* = INACTIVE

MODEL NUMBER	MOTOR	FREQUENCY	HP	kW	OPERATING VOLTAGE	MAX AMP DRAW	lbs. oz.	Kg. GRAMS
22D1180-201-1003	115V	60HZ.	0.0	0.0			4.8 0	2,16 0,0
22D1180-202-1003	115V	60HZ.	0.0	0.0			5.5 0	2,50 0,0
* 22D1180-201-1013	115V	60HZ.	0.0	0.0			5.5 0	2,50 0,0
* 22D1180-202-1013	115V	60HZ.	0.0	0.0			4.8 0	2,16 0,0
22D1180-204-1018	115V	60HZ.	0.0	0.0			4.8 0	2,16 0,0
22D1180-201-1019	230V	60HZ.	0.0	0.0			5.5 0	2,50 0,0
* 22D1180-202-1019	230V	50/60HZ.	0.0	0.0		N/A	5.5 0	2,50 0,0
* 22D1180-203-1019	230V	50/60HZ.	0.0	0.0		N/A	5.5 0	2,50 0,0
22D1180-216-1018	115V	60HZ.	0.0	0.0			4.8 0	2,16 0,0