



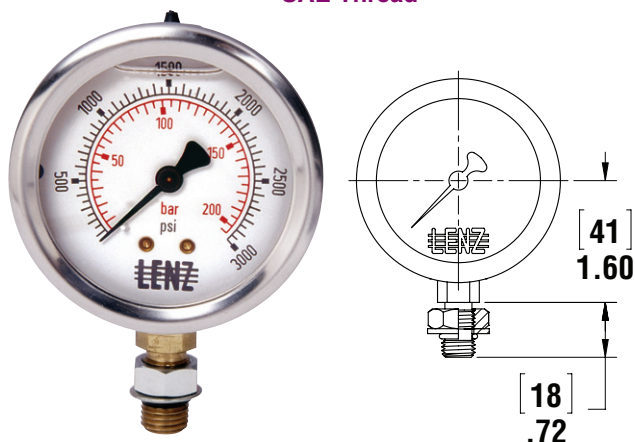
## Optional Threads

Lenz Pressure gauges can be ordered with optional thread connections. (50 Piece Minimum)

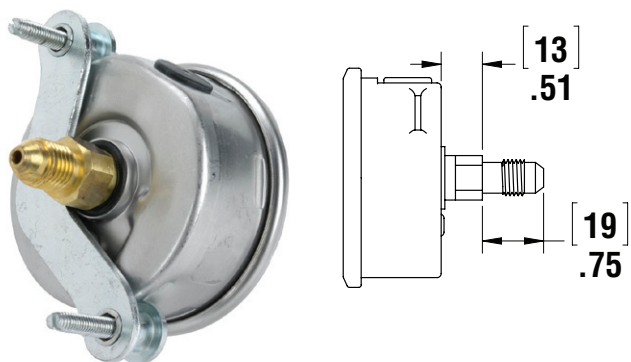
- 1) **S.A.E. Thread:** (7/16"-20 w/ "O"-Ring, washer & locknut)  
**Example:** S.A.E.-AFC-3M-25
- 2) **J.I.C. Thread:** (7/16"-20 Male 37° Flare)  
**Example:** JIC-AFC-3M-25RC

- 3) **B.S.P. Thread:** (1/4" R-19, 1/4" BSP-19, G-1/4")  
**Example:** BSP-AFC-3M-25
- 4) **Tube Connection:**  
**Example:** SS-TA-5M-25

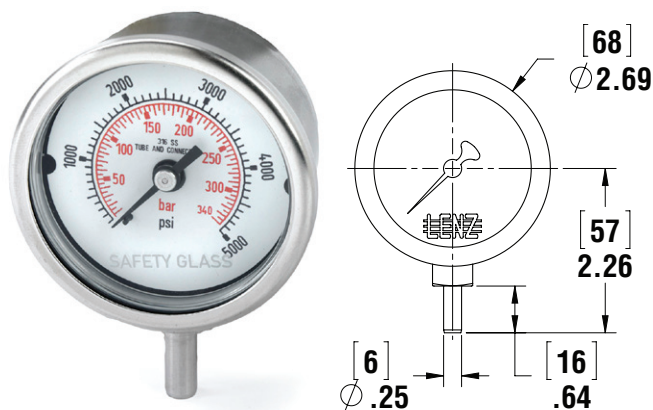
**SAE Thread**



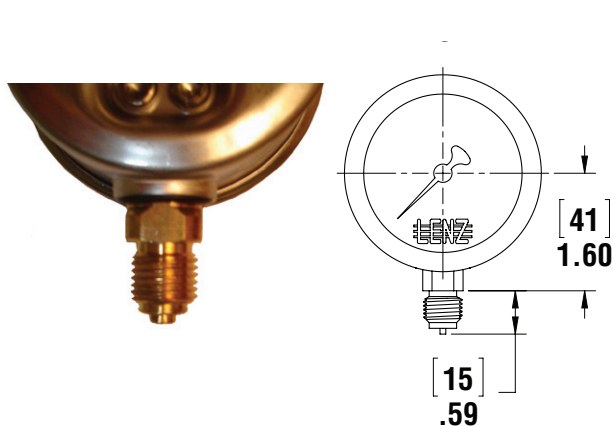
**JIC Thread**



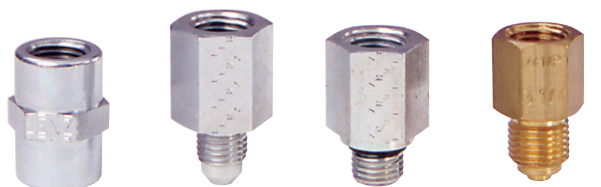
**1/4" Stainless Tube Connection**



**BSP Thread**



## Adapters For Pressure Gauges



4-PC, 8-PC  
4-PC-SS  
8-PC-SS

3255-4-4

4-4 APC

4-4 BSP

MODEL NUMBER	DESCRIPTION
4-PC	1/4" NPT FEMALE x 1/4" NPT FEMALE PIPE COUPLER
3255-4-4	1/4" NPT FEMALE x 7/16"-20 MALE JIC 37° FLARE
4-4 APC	1/4" NPT FEMALE x 7/16"-20 S.A.E. MALE WITH O-RING
4-4 BSP	1/4" NPT FEMALE x 1/4"-19 BSP THREADS

See Catalog 127RA for further information