

Product Specifications



Post Office Box 97
 Benton Harbor, Michigan
 Ph: 269/926-6171
 Fax: 269/925-8288

Model Number	MAX. PRESS.		MAX. SPEED		HP	kW	Net Wt.	
	Bar.	PSI					lbs.	kg
4AM-NRV-22A	7.0	100	3,000 RPM	17	1.25	7	3.2	
4AM-NRV-22B	7.0	100	3,000 RPM	17	1.25	7	3.2	
4AM-NRV-22F	7.0	100	3,000 RPM	17	1.25	7	3.2	
4AM-NRV-22G	7.0	100	3,000 RPM	17	1.25	7	3.2	
4AM-NRV-5.4A	7.0	100	3,000 RPM	17	1.25	7	3.2	
* 4AM-NRV-132	7.0	100	3,000 RPM	17	1.25	7	3.2	
4AM-NRV-22H	7.0	100	3,000 RPM	17	1.25	7	3.2	
4AM-NRV-165	7.0	100	3,000 RPM	17	1.25	7	3.2	

PART NUMBER: STD122

REVISION: L

TECHNICAL DATA SUBJECT
 TO CHANGE
 WITHOUT NOTICE.
 DIMENSIONS SHOWN ARE FOR
 REFERENCE ONLY.
 * DENOTES INACTIVE UNIT

SOUND LEVEL 87 dB(A) MAX.

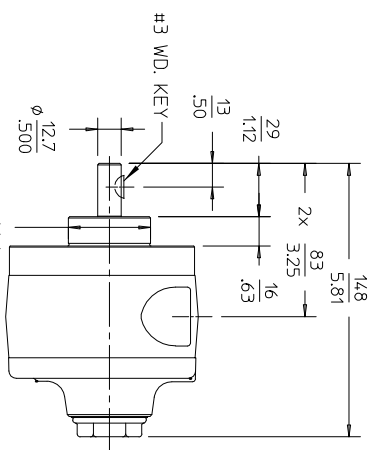
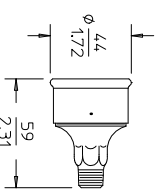
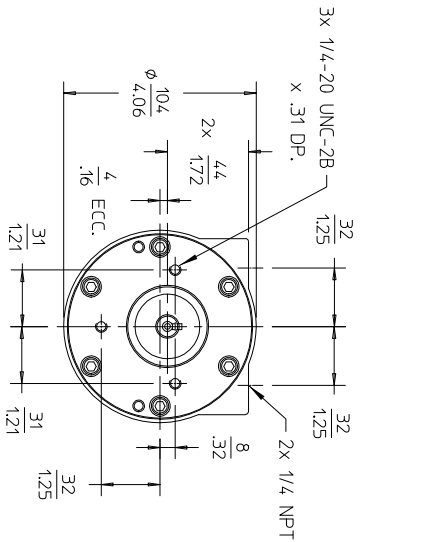
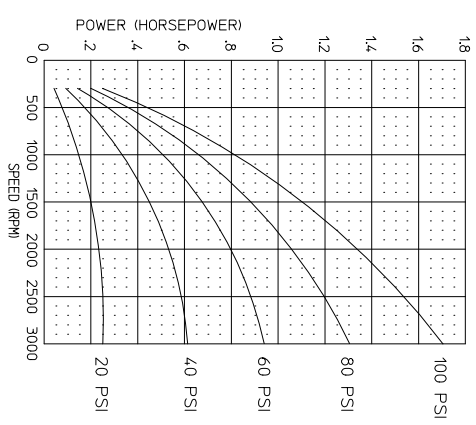
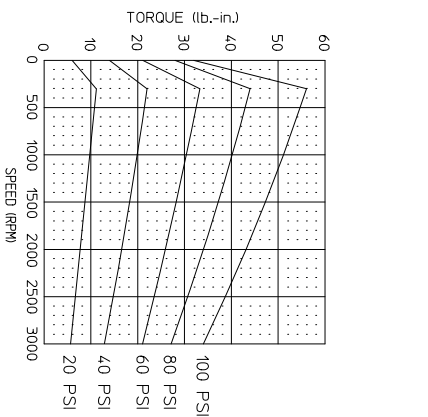
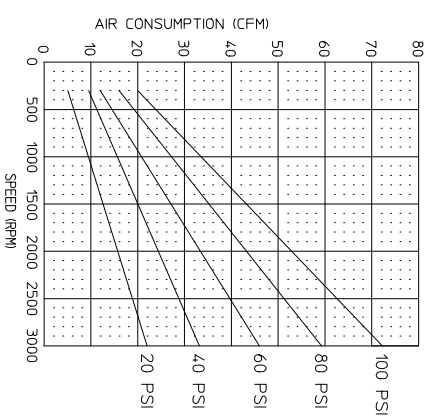
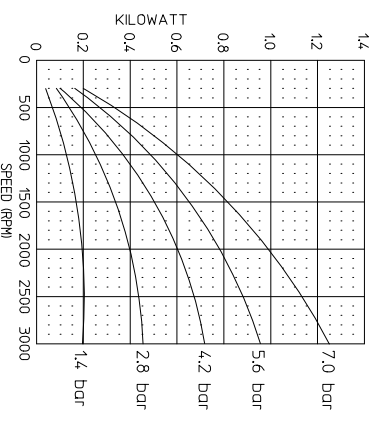
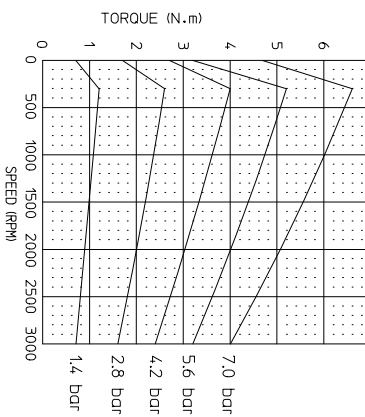
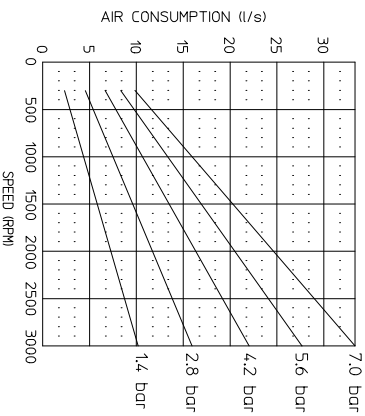
NORMAL AMBIENT +1° C. - 120° C.

RELATIVE HUMIDITY 0% - 100%

ENVIRONMENT HAZARDOUS AMBIENT COMBUSTIBLE

GAS AND DUST +1° TO +40°c

CONFORMS TO EUROPEAN STANDARD EN13463-1
 NON-ELECTRICAL EQUIPMENT FOR EXPLOSIVE
 ATMOSPHERES GROUP 11 CAT 2 (GAS & DUST).
 PROTECTED BY CONSTRUCTION (SURFACE TEMP. RATED 135C).



MUFFLER ASM. (SHIPPED UNATTACHED)
 EXCEPT FOR 4AM-NRV-22A/4AM-NRV-22G/4AM-NRV-22H