



Post Office Box 97
 Benton Harbor, Michigan
 Ph: 269/926-6171
 Fax: 269/925-8288

PART NUMBER: STD106
 REVISION: E

Product Specifications

Model Number	MAX. PRESS.		MAX. SPEED	HP	kW	Net Wt.	
	bar.	PSI				lbs.	kg
1AM-NRV-56-GR11	7.0	100	350 RPM	.34	0.25	3.1	1.41
1AM-NRV-60-GR11	7.0	100	350 RPM	.34	0.25	3.1	1.41

SOUND LEVEL 78 dba MAX.

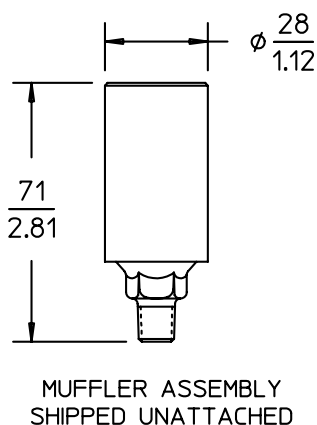
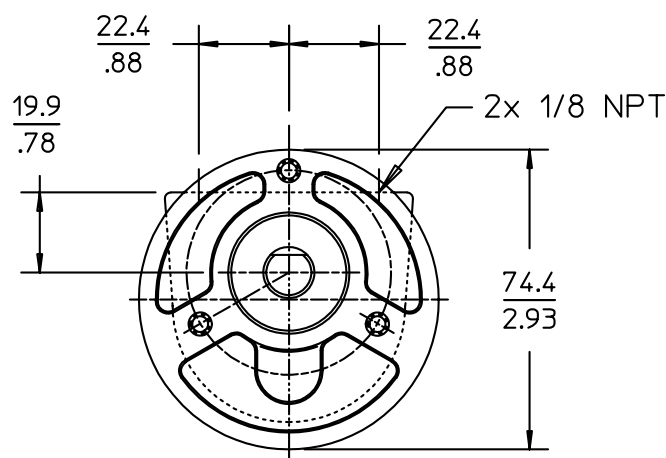
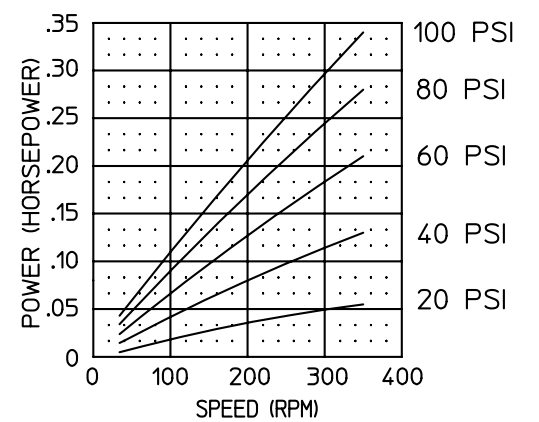
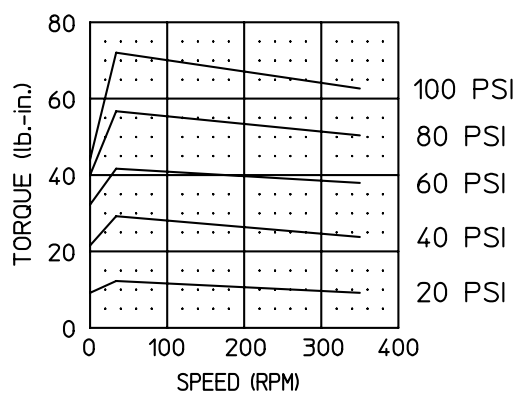
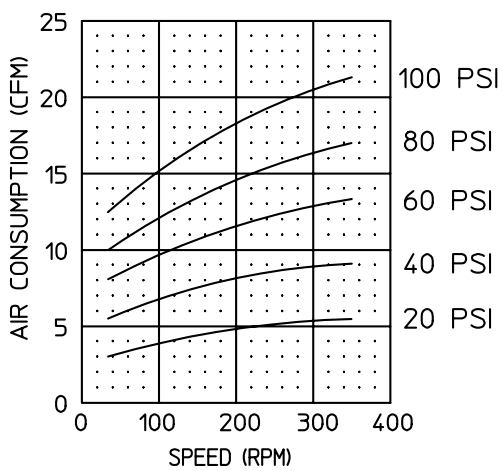
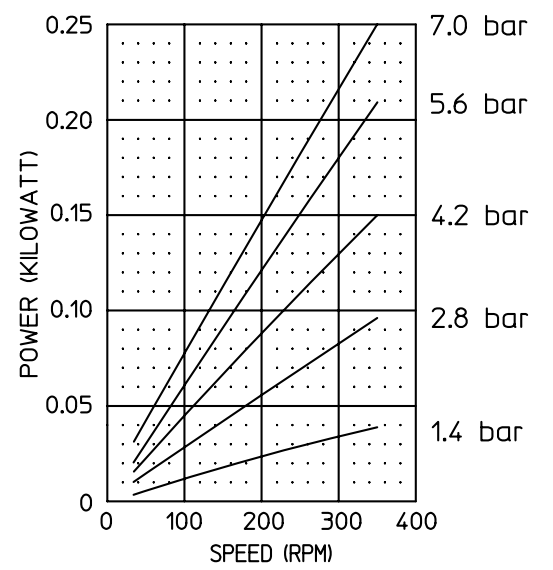
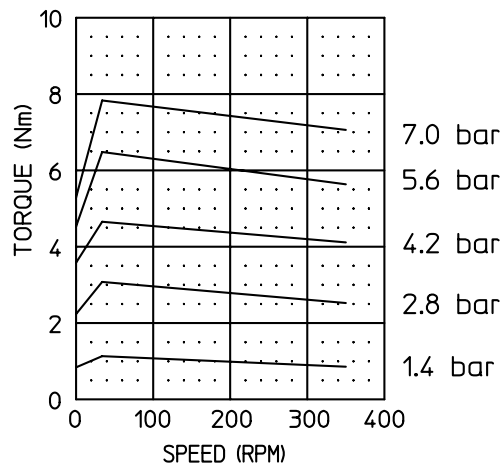
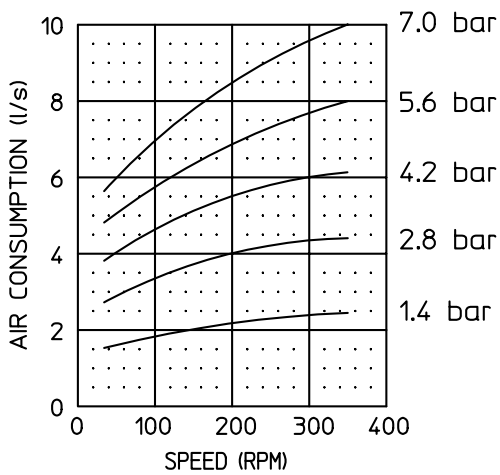
NORMAL AMBIENT 1° C. - 120° C.

RELATIVE HUMIDITY 0% - 100%

ENVIRONMENT HAZARDOUS AMBIENT COMBUSTIBLE
 GAS AND DUST +1°C TO +40°C

* TECHNICAL DATA SUBJECT TO CHANGE WITHOUT NOTICE.

CONFORMS TO EUROPEAN STD. EN13463-1 NON-ELECTRICAL EQUIPMENT FOR EXPLOSIVE ATMOSPHERES GROUP 11, CAT. 2 (GAS & DUST) PROTECTED BY CONSTRUCTION (SURFACE TEMP. RATING 135 C)



MUFFLER ASSEMBLY SHIPPED UNATTACHED

