

Product Specifications



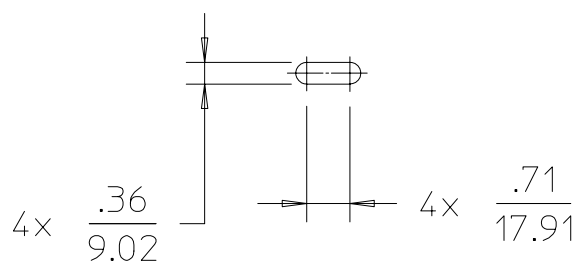
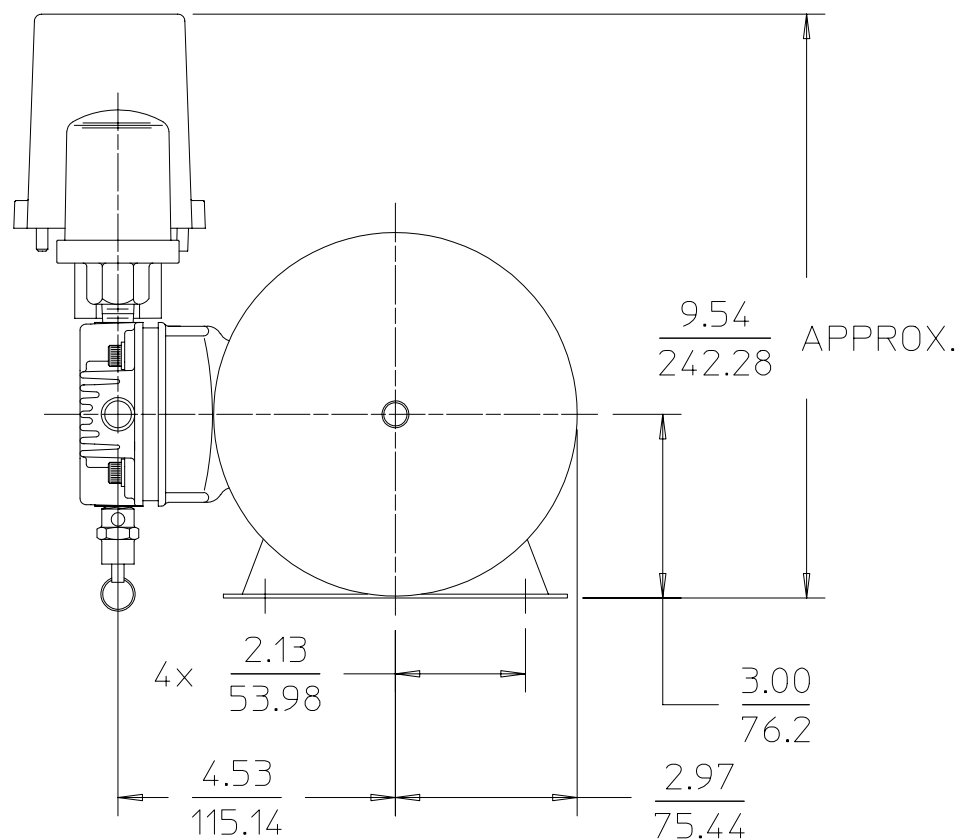
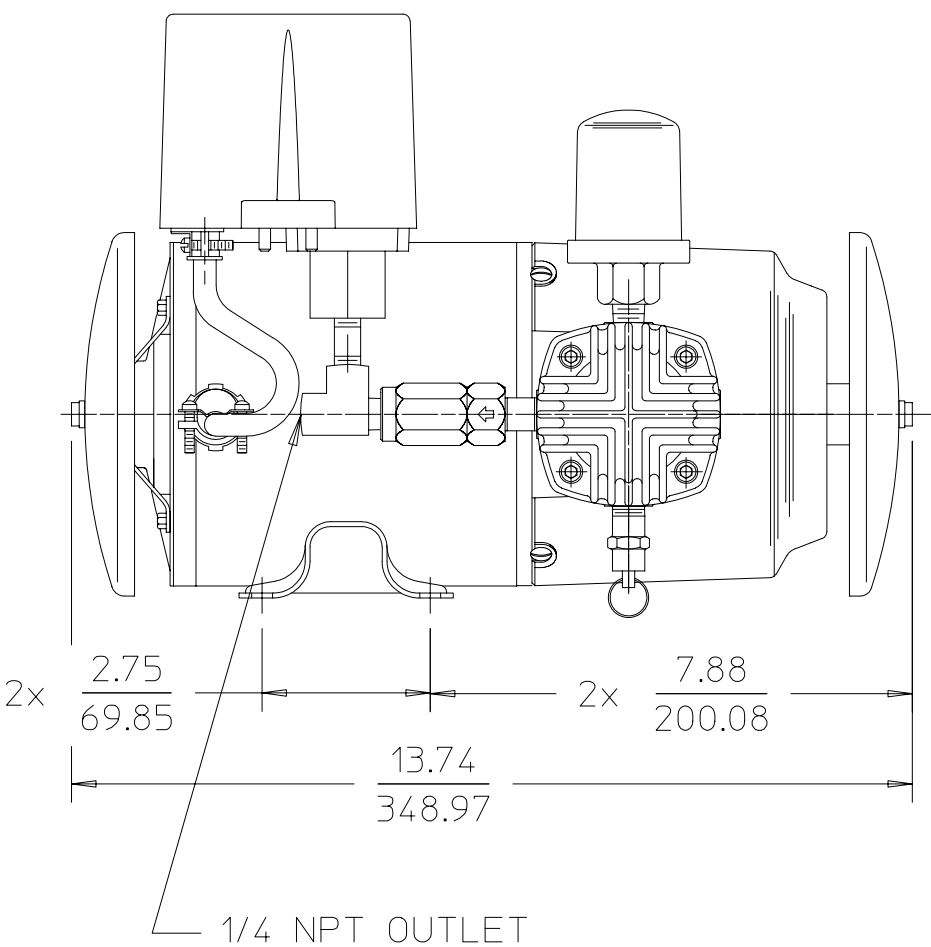
GAST MANUFACTURING, INC.
 A Unit of IDEX Corporation
 Post Office Box 97
 Benton Harbor, Michigan
 Ph: 269/926-6171
 Fax: 269/925-8288

Model	V	HP	kW	Hz	Part No.:	Revision
1LAA-55S-M100GX	115	1/6	0.12	60	RTD693	C

1725
 76dBA +5
 +40 °C
 20-80
 23 lbs. / 10.5 kg

NOTES:

1. ALL DIMENSIONS ARE FOR REFERENCE USE ONLY.
2. PRODUCT DIMENSIONS: U.S. IMPERIAL (inches) METRIC (mm).
3. TECHNICAL DATA SUBJECT TO CHANGE WITHOUT NOTICE.
4. ENVIRONMENT: CLEAN DUST FREE.
5. FACTORY SETTING: CUT-IN 13 PSI± 2 PSI/CUT-OUT 18 PSI ±2 PSI.



PRODUCT PERFORMANCE

