



GAST MANUFACTURING, INC.
 A Unit of IDEX Corporation
 Post Office Box 97
 Benton Harbor, Michigan
 Ph: 269/926-6171
 Fax: 269/925-8288

Product Specifications

Model	V	HP	kW	Hz	Part No.	Revision
4LCB-55S-M450GX	115/230	1/2	0.37	60	RTD692	C



1725



<75dBA

+5

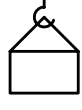


°C

+40



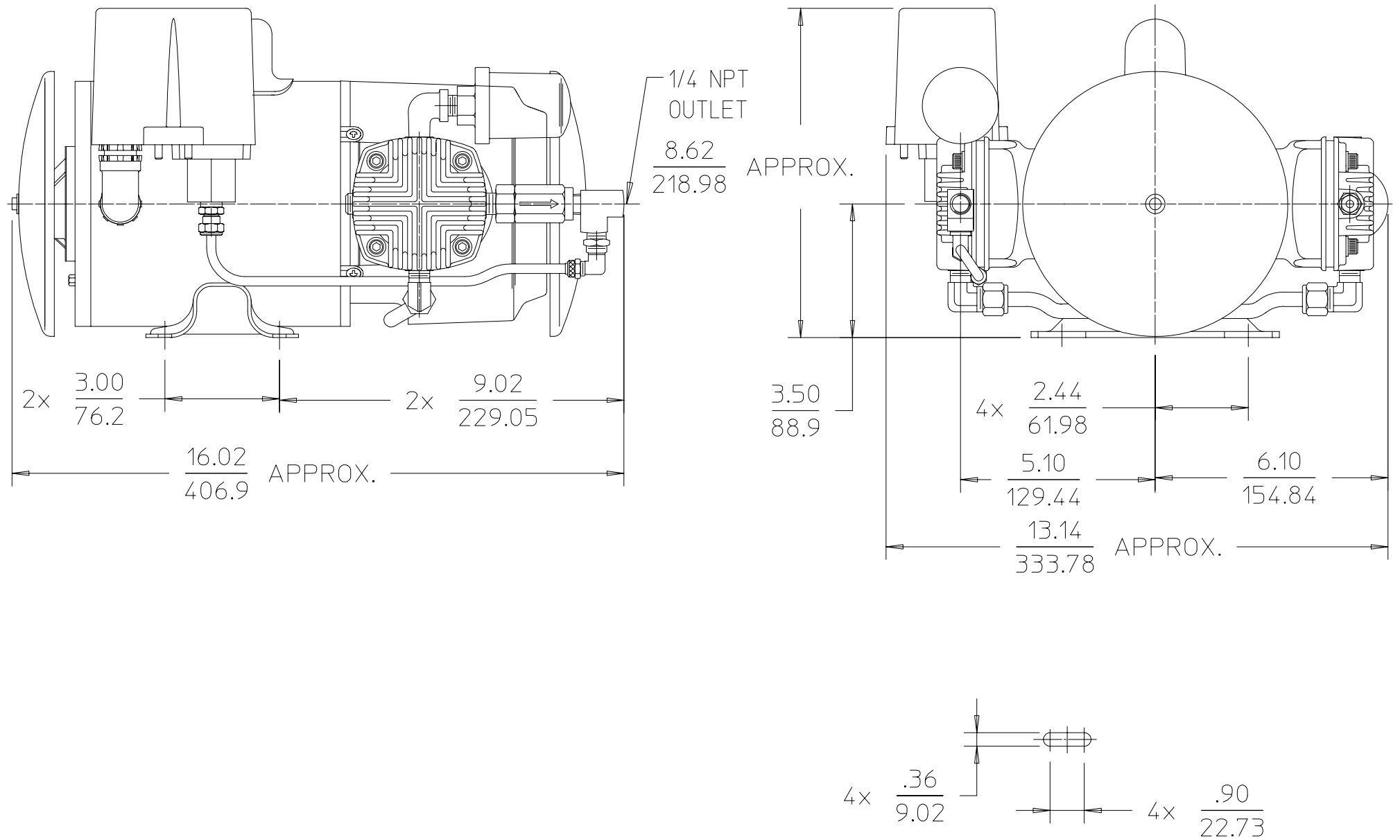
20-80



35 lbs.
16 kg

NOTES:

1. ALL DIMENSIONS ARE FOR REFERENCE USE ONLY.
2. PRODUCT DIMENSIONS: U.S. IMPERIAL (inches) METRIC (mm).
3. TECHNICAL DATA SUBJECT TO CHANGE WITHOUT NOTICE.
4. ENVIRONMENT: CLEAN DUST FREE.
5. FACTORY SETTING: CUT-IN 13 PSI± 2 PSI/CUT-OUT 18 PSI ±2 PSI



PRODUCT PERFORMANCE

