



GAST MANUFACTURING, INC.  
 A Unit of IDEX Corporation  
 Post Office Box 97  
 Benton Harbor, Michigan  
 Ph: 269/926-6171  
 Fax: 269/925-8288

# Product Specifications

| Model           | V       | HP  | kW   | Hz | Part Number: | Revision |
|-----------------|---------|-----|------|----|--------------|----------|
| 4LCB-46S-M450GX | 115/230 | 1/2 | 0.37 | 60 | RTD658A      | A        |

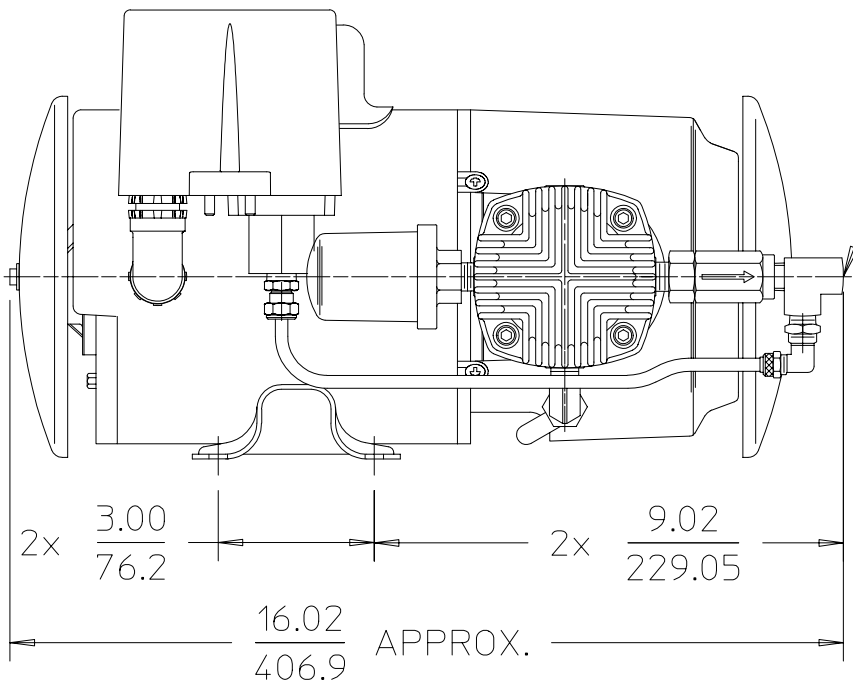
1725

<75dBA +5

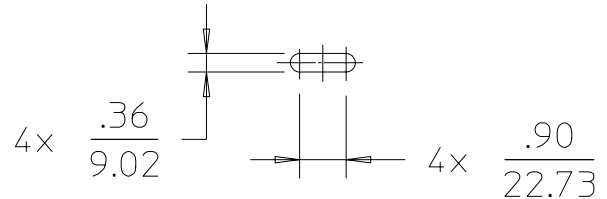
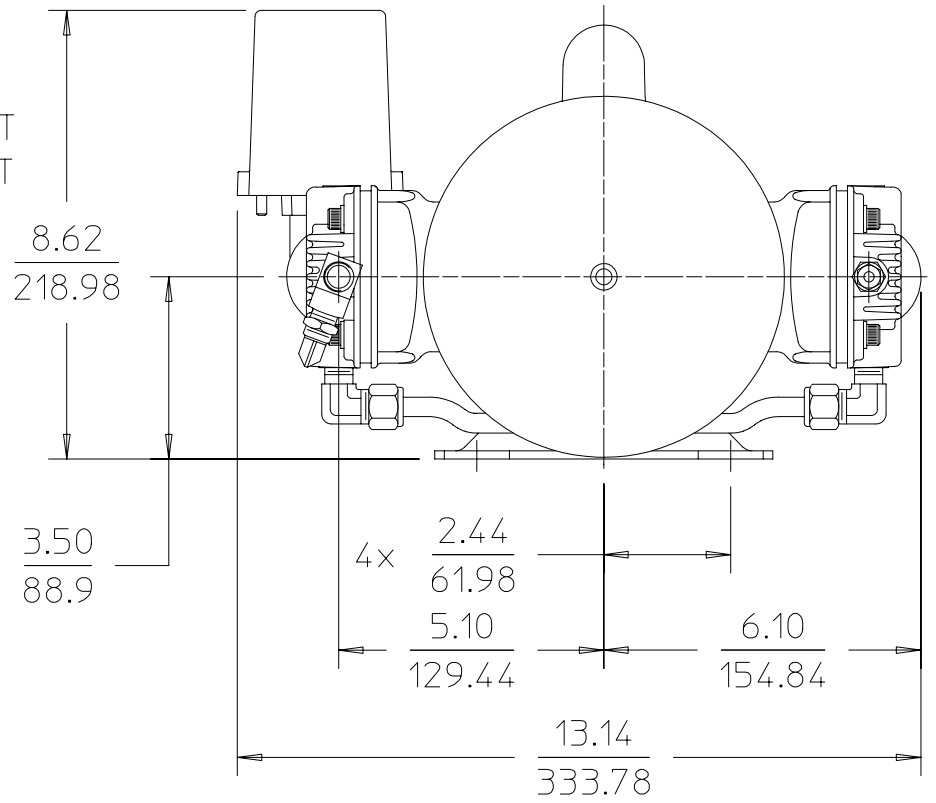
+40 °C

20-80

39.5 lbs.  
17.8 kg



1/4 NPT  
OUTLET



## NOTES:

1. ALL DIMENSIONS ARE FOR REFERENCE USE ONLY.
2. PRODUCT DIMENSIONS: U.S. IMPERIAL (inches) METRIC (mm).
3. TECHNICAL DATA SUBJECT TO CHANGE WITHOUT NOTICE.
- 4 ENVIRONMENT: CLEAN DUST FREE.
5. FACTORY SETTING: CUT-IN 40 PSI± 2 PSI/CUT-OUT 50 PSI ±2 PSI.

## PRODUCT PERFORMANCE

