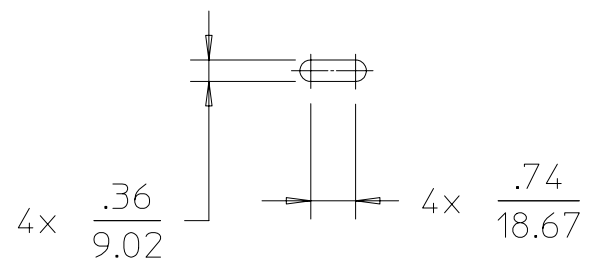
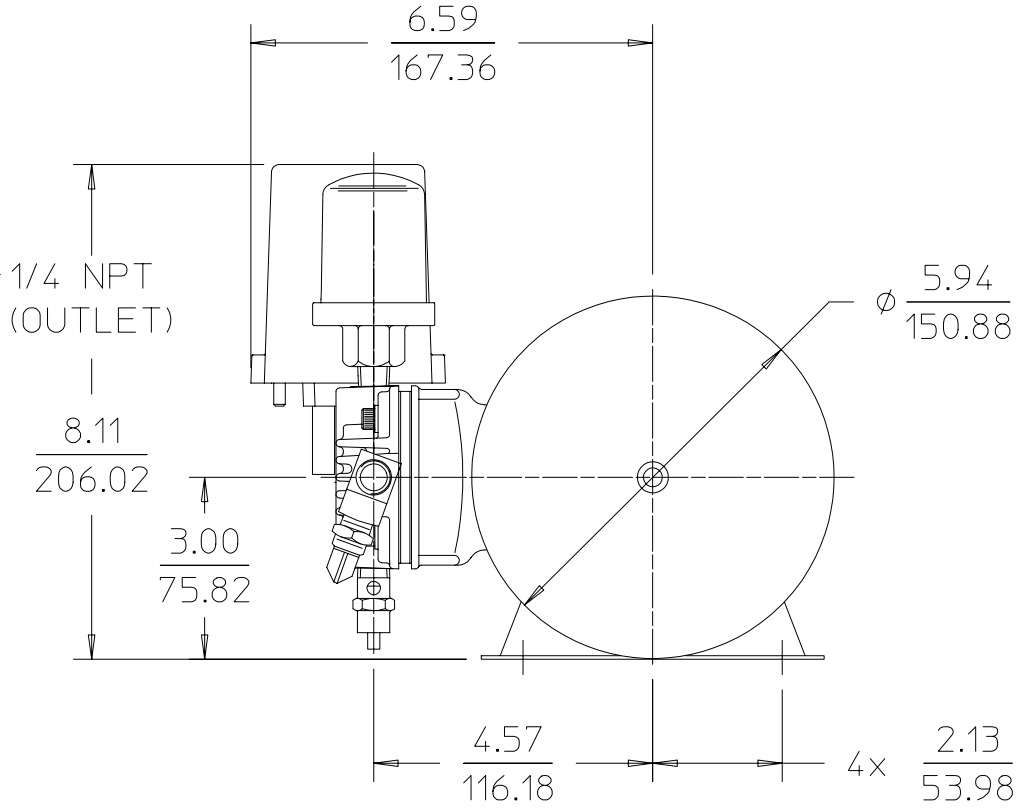
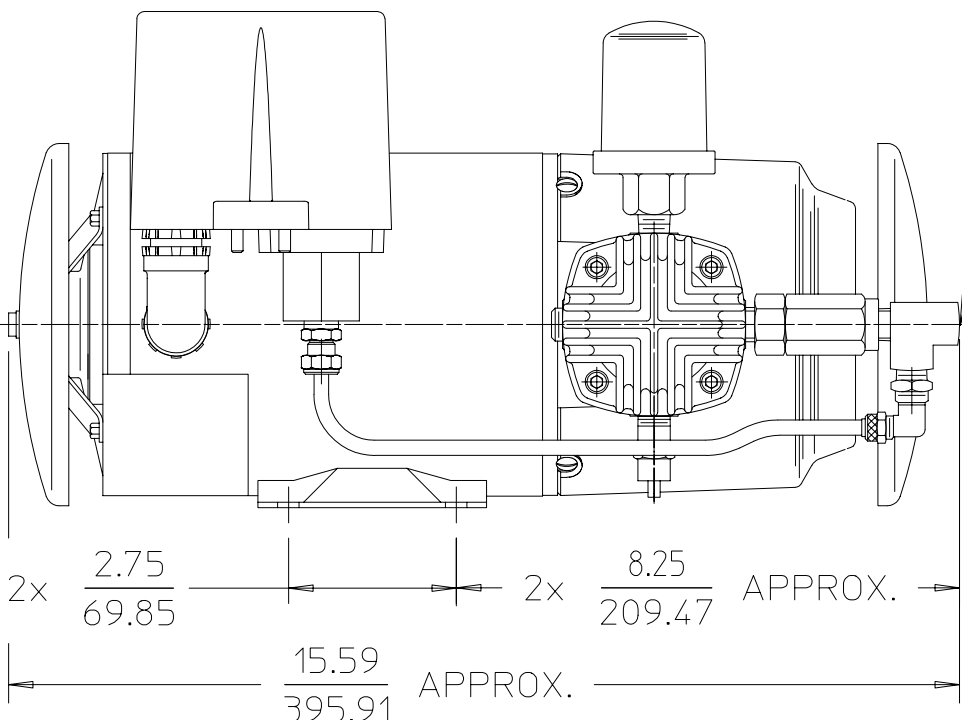




Product Specifications

Model	V	HP	kW	Hz	Part Number:	Revision
2LAF-46S-M200EX	115	1/4	0..19	60	RTD654A	A

1725
 <75dBA +5
 +40 °C
 20-80
 25 lbs. / 11.3 kg



- NOTES:
1. ALL DIMENSIONS ARE FOR REFERENCE USE ONLY.
 2. PRODUCT DIMENSIONS: U.S. IMPERIAL (inches) METRIC (mm).
 3. TECHNICAL DATA SUBJECT TO CHANGE WITHOUT NOTICE.
 - 4 ENVIRONMENT: CLEAN DUST FREE.
 5. FACTORY SETTING: CUT-IN 40 PSI± 2 PSI/CUT-OUT 50 PSI ±2 PSI.

PRODUCT PERFORMANCE

