

Model Number	Motor	RPM		HP	kW.	Net Wt.	
		60 cycle	50 cycle			lbs.	kg.
1HAB-10-M100X	115v - 1 pH.	1725	----	1/6	0.12	17	7.7



GAST MANUFACTURING INC.  
 A Unit of IDEX Corporation  
 Post Office Box 97  
 Benton Harbor, Michigan USA  
 PH.: (616)929-6171  
 Fax: 269/925-8288

PART NUMBER

RTD298

REV.

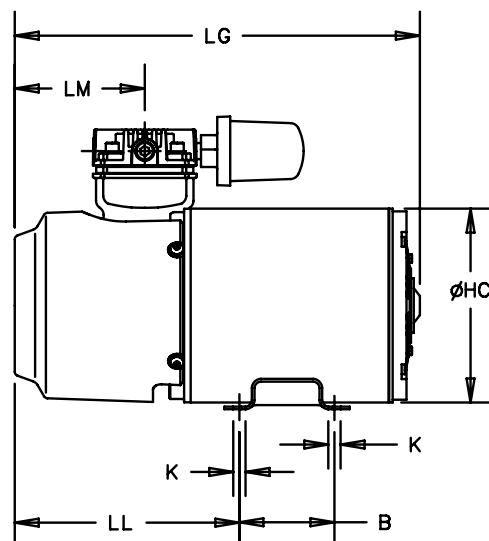
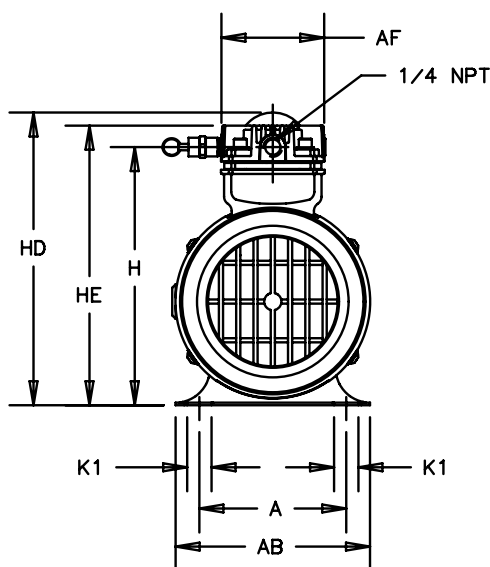
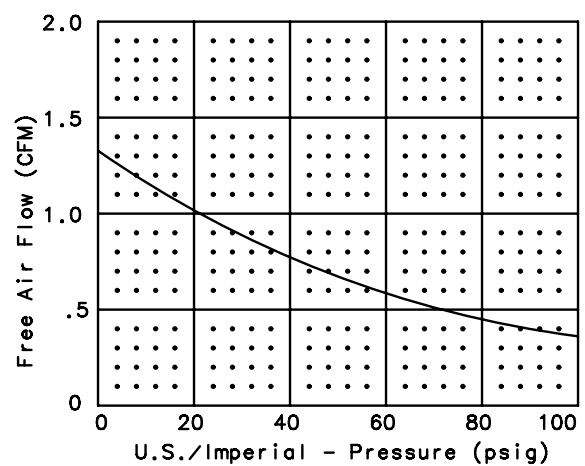
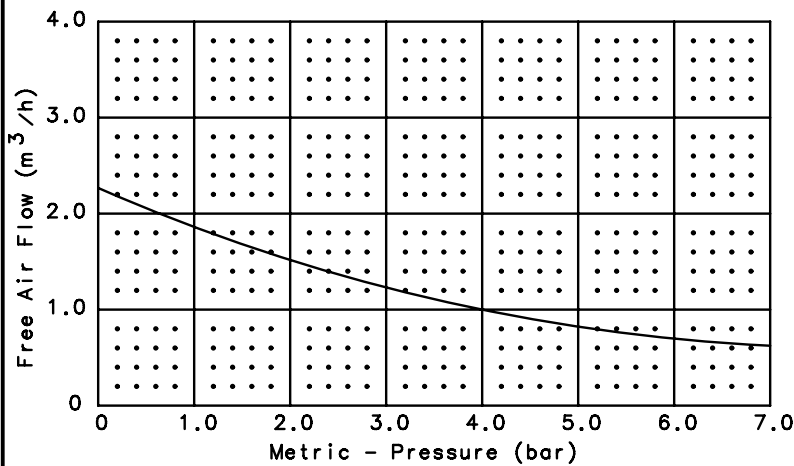
C

SOUND LEVEL	Less than 70 d(B)A
NORMAL AMBIENT	+5 degC to +40degC
RELATIVE HUMIDITY	20% to 80%
ENVIROMENT	Clean Dust Free

NOTES:

1. ALL DIMENSIONS ARE FOR REF. USE ONLY.
2. TECHNICAL DATA SUBJECT TO CHANGE WITHOUT NOTICE.

## PRODUCT PERFORMANCE



## PRODUCT DIMENSIONS (mm)

Model Number	A	AB	AC	AD	AE	AF	B	H	HC	HD	HE	K	K1	LE	LG	LL	LM
1HAB-10-M100X	108	143	---	---	---	76	70	190	142	215	205	9	18	---	293	165	95