



LZ-25 Steel Case

Dial Size: 2 1/2" Dry Case
Pressure Ranges: 30" HG to 6,000 P.S.I./Bar (Dual Scale)
Accuracy: Within 2.0% of Maximum Graduation
Case: Black Steel
Bourdon Tube: Phosphor Bronze
Movement: Brass
Connection: 1/4" Male NPT Brass Bottom or Rear
 Center Connection

(Optional Threads See Page 19c)

Restrictors Standard:

LZ-25/ LZ-25-RC MOUNTING OPTIONS, ADD SUFFIX:

“FF” for Chrome Front Flange - Example: LZ-160-25RC-FF

“UC” for Panel Mount option - Example: LU-160-25RC

Glass Lens Available.

“MID” Maximum Indicating Dial available for LZ Series see page 21c.



LZ-25



FRONT

LU-25RC

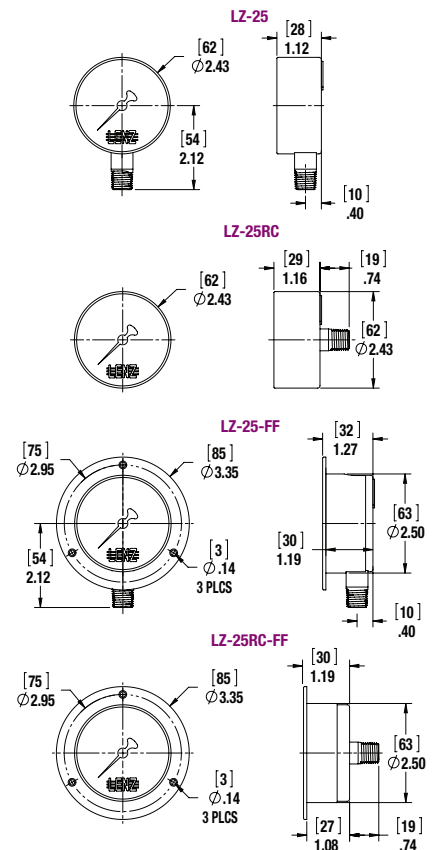


BACK

LZ-25 Series Steel Case Pressure Gauges

LENZ 2 1/2" Steel Case Pressure Gauges are perfect for hydraulic and pneumatic equipment. These cost effective pressure gauges are designed where space constraints are a problem.

STD. BOTTOM MOUNT MODEL NUMBER	REAR CENTER MOUNT MODEL NUMBER	PANEL MOUNT U-CLAMP REAR CENTER MOUNT MODEL NUMBER	FULL RANGE		FIGURE INTERVAL		GRADUATION INTERVAL	
			ENGLISH P.S.I.	METRIC BAR	P.S.I.	BAR	P.S.I.	BAR
LZ-15-25	LZ-15-25RC	LU-15-25RC	0-15	0-1	3	.2	.25	.02
LZ-30-25	LZ-30-25RC	LU-30-25RC	0-30	0-2	5	.5	.5	.05
LZ-60-25	LZ-60-25RC	LU-60-25RC	0-60	0-4	10	1	1	.1
LZ-100-25	LZ-100-25RC	LU-100-25RC	0-100	0-7	20	2	2	.1
LZ-160-25	LZ-160-25RC	LU-160-25RC	0-160	0-10	20	2	2	.2
LZ-200-25	LZ-200-25RC	LU-200-25RC	0-200	0-14	40	4	4	.4
LZ-300-25	LZ-300-25RC	LU-300-25R	0-300	0-20	50	5	5	.5
LZ-400-25	LZ-400-25RC	LU-400-25RC	0-400	0-28	50	5	5	.5
LZ-600-25	LZ-600-25RC	LU-600-25RC	0-600	0-42	100	10	10	1
LZ-1M-25	LZ-1M-25RC	LU-1M-25RC	0-1000	0-70	100	20	20	1
LZ-1500-25	LZ-1500-25RC	LU-1500-25RC	0-1500	0-100	300	20	50	5
LZ-2M-25	LZ-2M-25RC	LU-2M-25RC	0-2000	0-140	400	40	40	4
LZ-3M-25	LZ-3M-25RC	LU-3M-25RC	0-3000	0-210	600	50	50	5
LZ-5M-25	LZ-5M-25RC	LU-5M-25RC	0-5000	0-350	1000	100	100	10
LZ-6M-25	LZ-6M-25RC	LU-6M-25RC	0-6000	0-420	1000	100	100	10



Vacuum Gauges

STD. BOTTOM MOUNT MODEL NUMBER	REAR CENTER MOUNT MODEL NUMBER	FULL RANGE		FIGURE INTERVAL		GRADUATION INTERVAL	
		ENGLISH HG	METRIC BAR	HG	BAR	HG	BAR
LZ-30HG-25	LZ-30HG-25RC	0-30"	0-1	5	.2	1	.02

Compound Gauges

Use where pressures may vary from above atmospheric to below atmospheric.

STD. BOTTOM MOUNT MODEL NUMBER	REAR CENTER MOUNT MODEL NUMBER	FULL RANGE		FIGURE INTERVAL	
		ENGLISH HG	METRIC BAR	HG	BAR
LZ-30-15-25	LZ-30-15-25RC	30"-0-15	-1-0-1	10" & 5	.2 & .2
LZ-30-30-25	LZ-30-30-25RC	30"-0-30	-1-0-2	10" & 10	1 & 1
LZ-30-60-25	LZ-30-60-25RC	30"-0-60	-1-0-4	10" & 10	1 & 1
LZ-30-100-25	LZ-30-100-25RC	30"-0-100	-1-0-7	30" & 20	1 & 1
LZ-30-160-25	LZ-30-160-25RC	30"-0-160	-1-0-10	30" & 20	1 & 2
LZ-30-200-25	LZ-30-200-25RC	30"-0-200	-1-0-14	30" & 40	1 & 2

