



GAST MANUFACTURING, INC.
 A Unit of IDEX Corporation
 Post Office Box 97
 Benton Harbor, Michigan
 Ph: 269/926-6171
 Fax: 269/925-8288

PART NUMBER:
LTD196
 SHEET 1 of 2

REV.
B

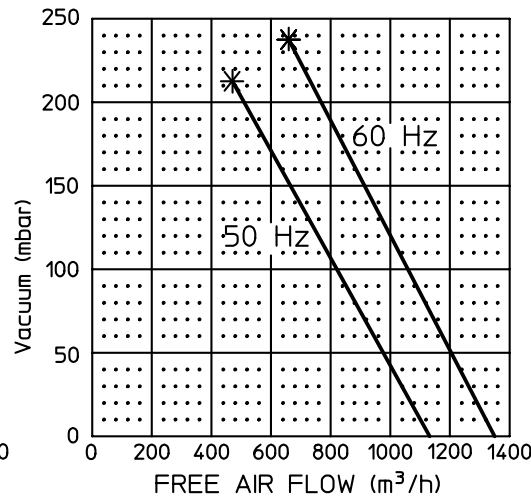
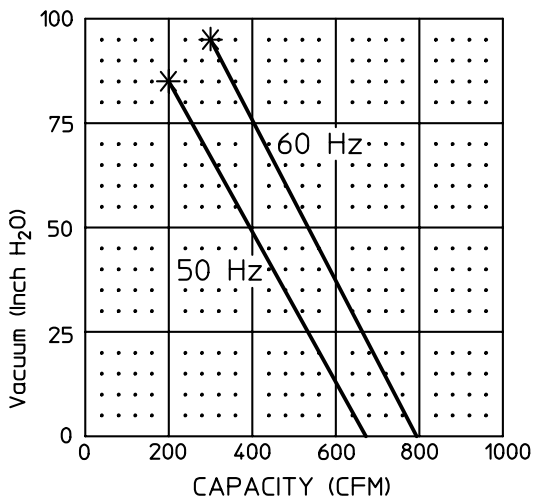
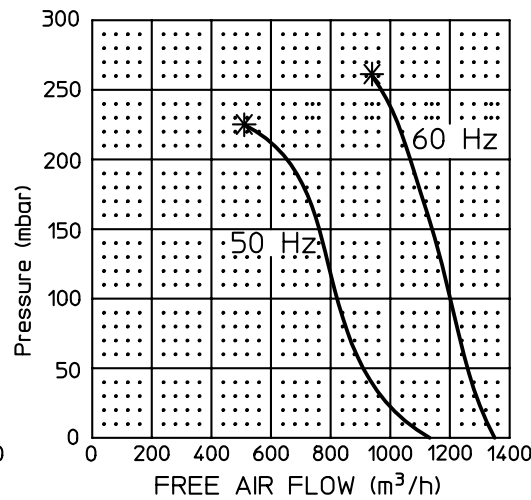
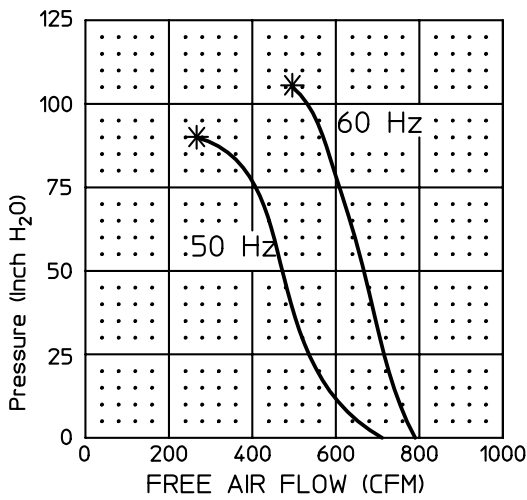
Product Specifications

MODEL NUMBER	MOTOR SPECIFICATIONS	RPM	MAX VAC		MAX PRESS		HP	kW	NET WT.	
			"H ₂ O	mbar	"H ₂ O	mbar			lbs.	kg
R7P3180M	230/460-60-3	3450	95	237	105	262	18	13,4	448	203,4
	190-220/380-440-50-3	2850	85	212	90	224	12	8,9		

SOUND LEVEL 79/74 dB(A) MAX. @ 60/50 Hz
 NORMAL AMBIENT -29°C TO 40°C
 RELATIVE HUMIDITY 0% - 100% NON CONDENSING
 ENVIRONMENT CLEAN DUST FREE

TECHNICAL DATA SUBJECT TO
 CHANGE WITHOUT NOTICE.

Product Performance

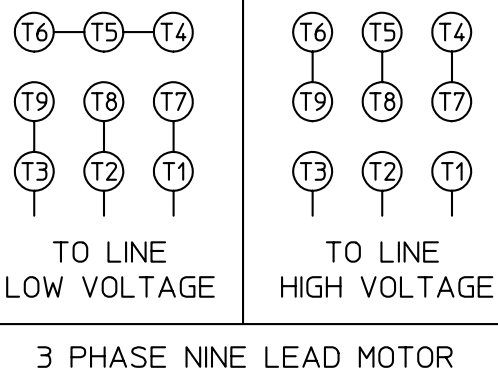


PERFORMANCE DATA
 THE PERFORMANCE DATA SHOWN WAS DETERMINED
 UNDER THE FOLLOWING CONDITIONS:
 LINE VOLTAGE @ 60 Hz. 230V OR 460V FOR 3 PHASE
 UNITS. 115V OR 230V FOR 1 PHASE UNITS.
 LINE VOLTAGE @ 50 Hz. 220V FOR 3 PHASE OR 1
 PHASE UNITS.
 UNITS IN A TEMPERATURE STABLE CONDITION.
 DELIVERY MEASUREMENTS MADE WITH OUTPUT PORT
 THROTTLED.
 SUCTION MEASUREMENTS MADE WITH INPUT PORT
 THROTTLED.
 TEST CONDITIONS: INLET AIR DENSITY @ 0.075 lbs. per
 cu. ft. [20°C (68°F), 29.92" Hg (14.7 PSIA)].
 NORMAL PERFORMANCE VARIATIONS ON THE RESISTANCE
 CURVE WITHIN ±10% OF SUPPLIED DATA CAN BE EXPECTED.

* DENOTES RECOMMENDED
 MAXIMUM DUTY
 --- INTERMITTENT DUTY ONLY

Product Dimensions

SEE SHEET 2 OF 2



3 PHASE NINE LEAD MOTOR