



GAST MANUFACTURING, INC.
 A Unit of IDEX Corporation
 Post Office Box 97
 Benton Harbor, Michigan
 Ph: 269/926-6171
 Fax: 269/925-8288

PART NUMBER:

LTD139

REV.

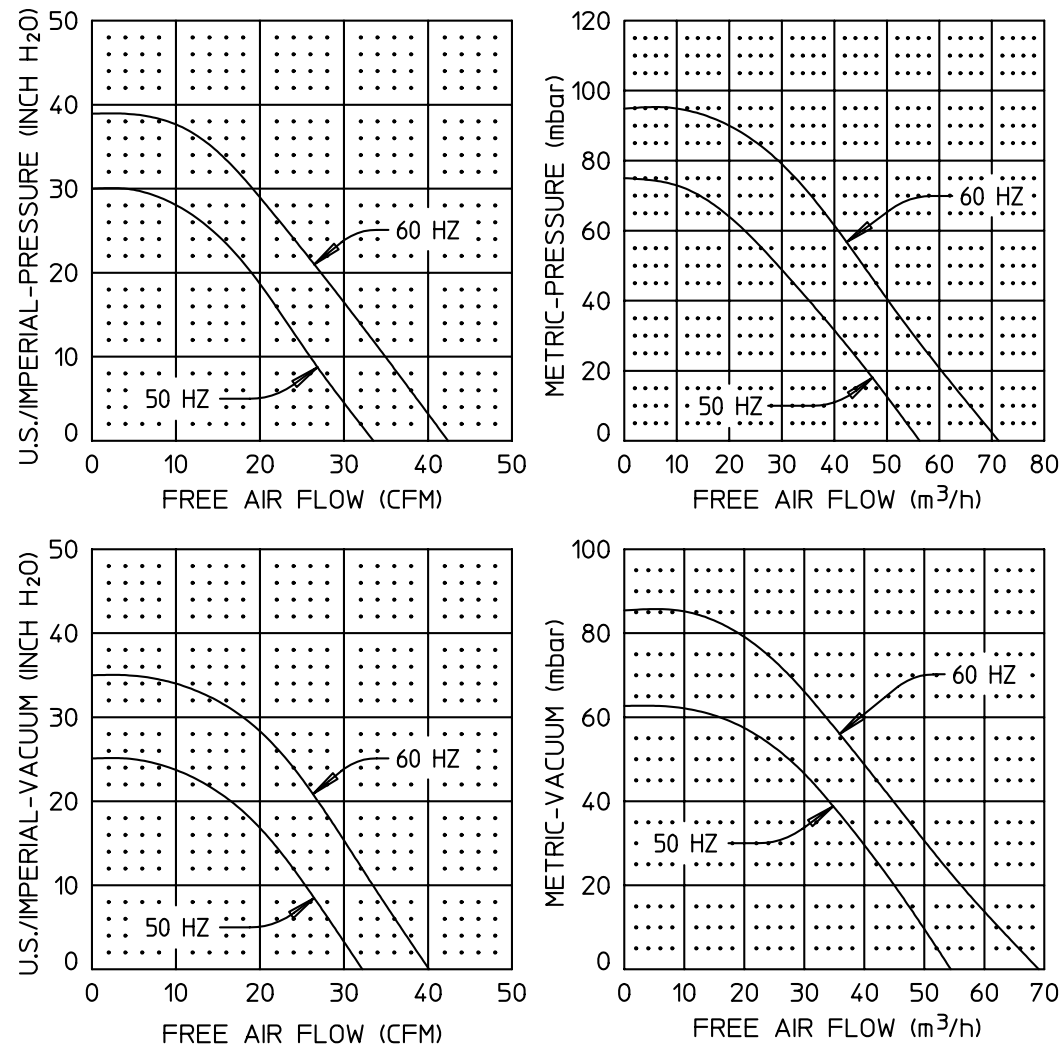
E

MODEL NUMBER	MOTOR SPECIFICATIONS	RPM	MAX VAC		MAX PRESS		HP	kW	NET WT.	
			"H ₂ O	mbar	"H ₂ O	mbar			lbs.	kg
R2103 R2103-24 R2103-32	110/220-50-1	2850	25	62	30	75	1/5	0,15	21	9.5
R2103K R2103K-24 R2103K-32			115/208-230-60-1	3450	35	87	39	97	1/3	0,25

SOUND LEVEL 63/59 dB(A) MAX. @ 60/50 Hz
 NORMAL AMBIENT -29°C TO 40°C
 RELATIVE HUMIDITY 0% - 100% NON CONDENSING
 ENVIRONMENT CLEAN DUST FREE

TECHNICAL DATA SUBJECT TO CHANGE WITHOUT NOTICE.

Product Performance (Metric U.S. Imperial)



PERFORMANCE DATA
 THE PERFORMANCE DATA SHOWN WAS DETERMINED UNDER THE FOLLOWING CONDITIONS:

LINE VOLTAGE @ 60 Hz. 230V OR 460V FOR 3 PHASE UNITS. 115V OR 230V FOR 1 PHASE UNITS.

LINE VOLTAGE @ 50 Hz. 220V FOR 3 PHASE OR 1 PHASE UNITS.

UNITS IN A TEMPERATURE STABLE CONDITION.

DELIVERY MEASUREMENTS MADE WITH OUTPUT PORT THROTTLED.

SUCTION MEASUREMENTS MADE WITH INPUT PORT THROTTLED.

TEST CONDITIONS: INLET AIR DENSITY @ 0.075 lbs. per cu. ft. [20°C (68°F), 29.92" Hg (14.7 PSIA)].

NORMAL PERFORMANCE VARIATIONS ON THE RESISTANCE CURVE WITHIN ±10% OF SUPPLIED DATA CAN BE EXPECTED.

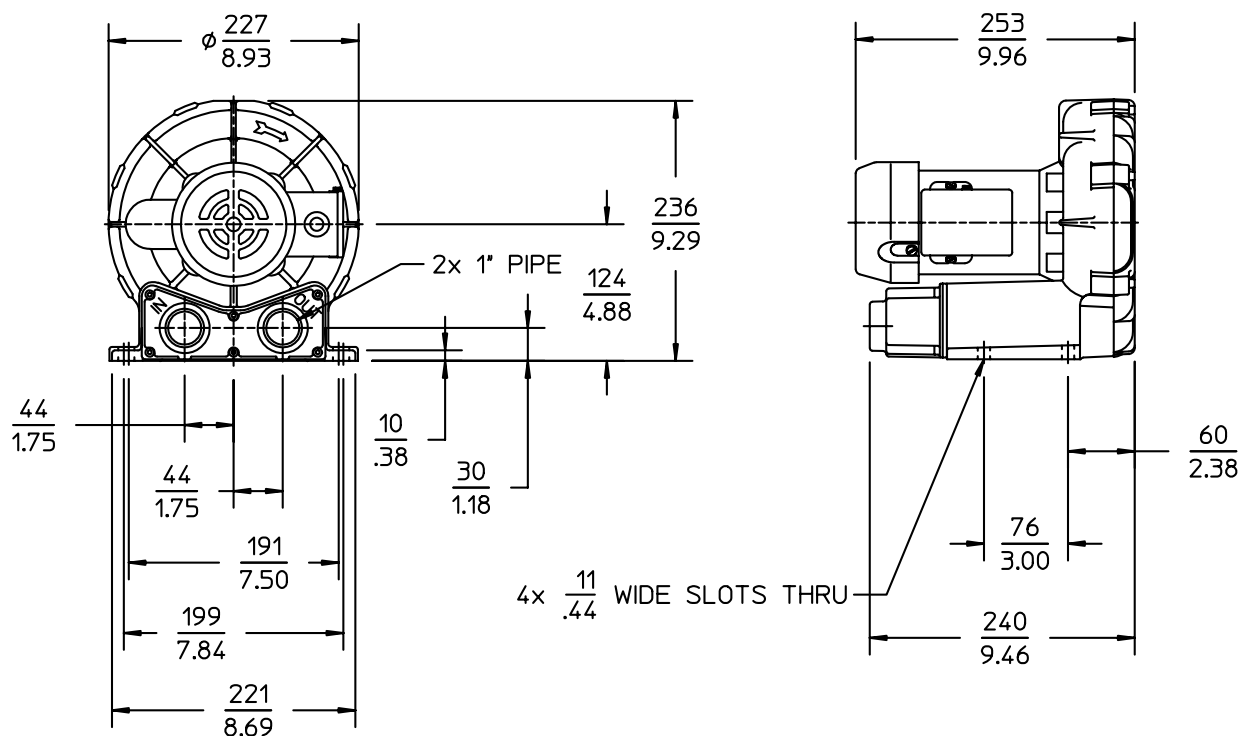
Product Dimensions Metric (mm) / U.S. Imperial (inches)

Low Voltage, Single Phase

- Blue P1 Line
- Brown P2
- Black 5 ——— Tie Together
- Orange 3 ——— Insulate
- White 2 ——— Tie Together
- Yellow 4 ——— Line

High Voltage, Single Phase

- Blue P1 Line
- Brown P2 Insulate
- Black 5 ——— Tie Together
- Orange 3 ——— Insulate
- White 2 ——— Tie Together
- Yellow 4 Line



Wiring Diagram