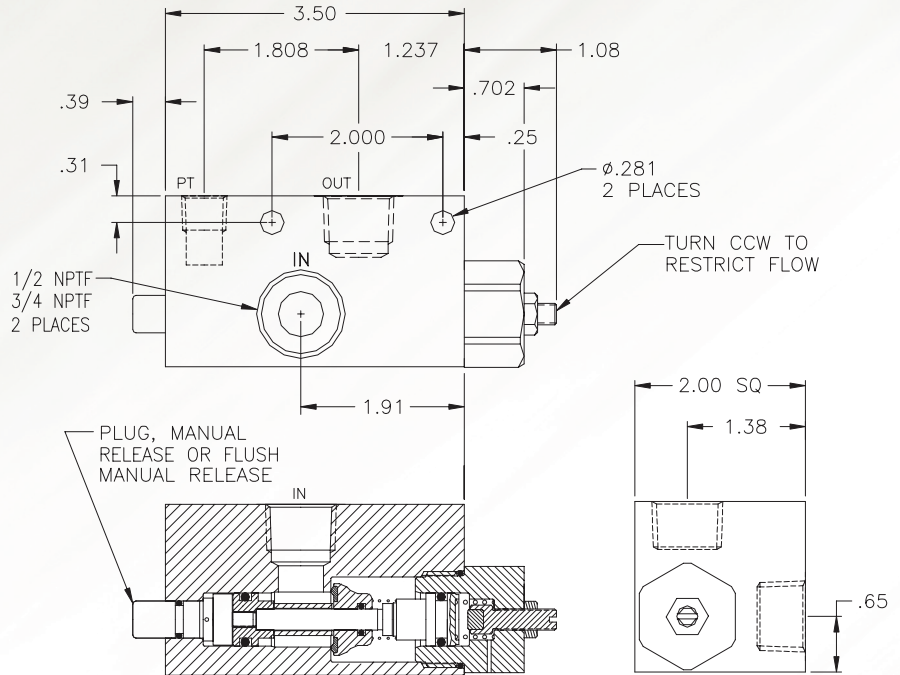
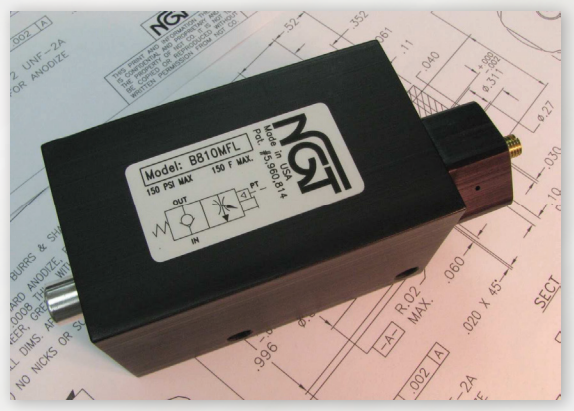


1/2 & 3/4 NPTF Pilot Operated Check Valves with Flow Controls Fast Advance and Slow Retract - Avoid Crash Landings



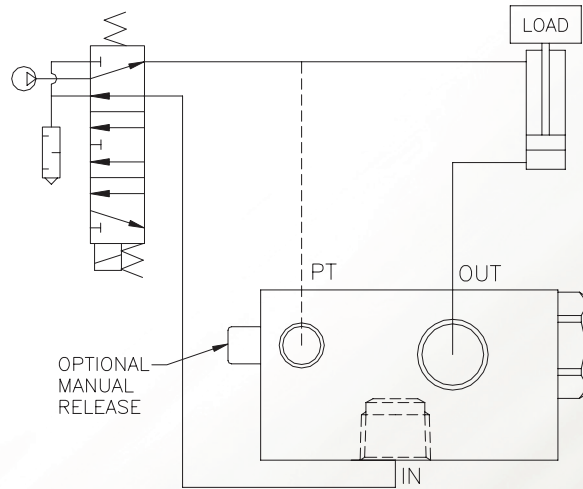
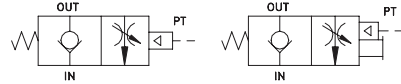
- Lower Loads Slowly
- Optional Manual Release
- .0000522 cc/min Leak Rate

Basic Operation:

Hold position when a pressure drop or total loss of pressure occurs. Flow control meters air from the output to the input port. Manual release to exhaust trapped air before maintaining the system (OSHA Requirement).

Operating Data:

- Max. Pressure: 150 psi
- Min. Pilot Press.: 40 psi
- 25 psi (see table)
- Temp. Range: 30 - 150 F
- Cycle Rate: 1 cycles/sec max.
- Flow Capacity (Cv): 3.8 max.
- Cracking Pressure: 1-2 psi
- Service: Properly filtered dry or lubricated air.



MODELS	1/2 NPTF	3/4 NPTF
No Manual Release	B8100FL	B12100FL
Manual Release	B810MFL	B1210MFL
Flush Manual Release	B81FMFL	B121FMFL
For a lower pilot pressure add (-K18) to the model # (ex: B810MFL-K18).		

No. of Turns	Equivalent Dia (in.)	No. of Turns	Equivalent Dia (in.)
.25	.15	1.75	.40
.50	.21	2.00	.43
.75	.26	2.25	.45
1.0	.30	2.50	.48
1.25	.34	2.75	.50
1.50	.37		