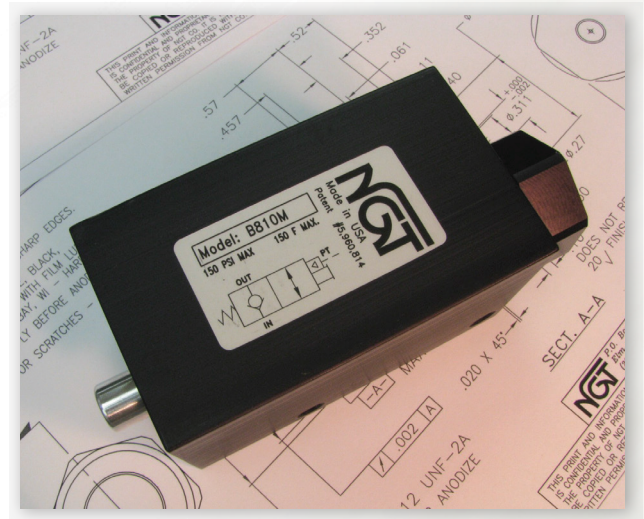
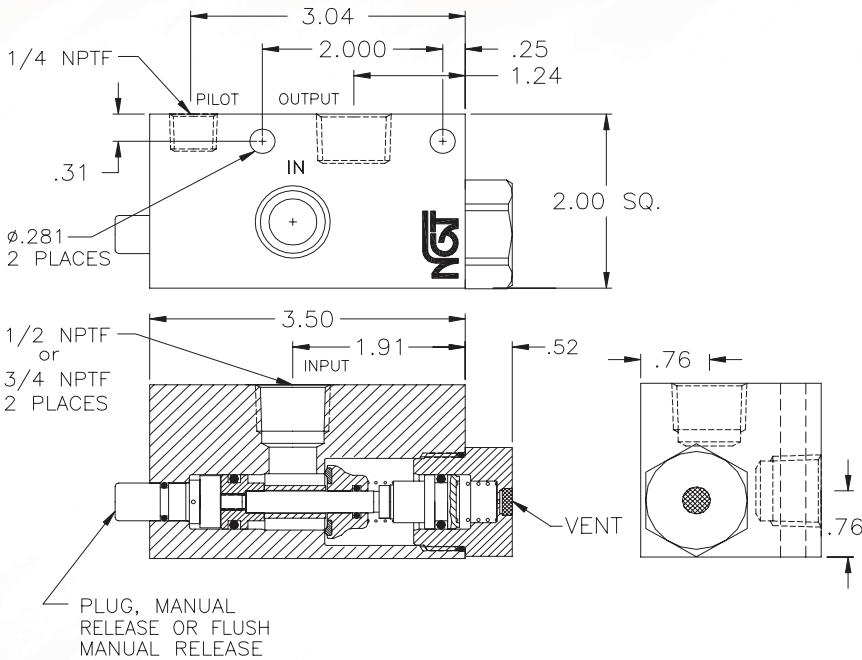


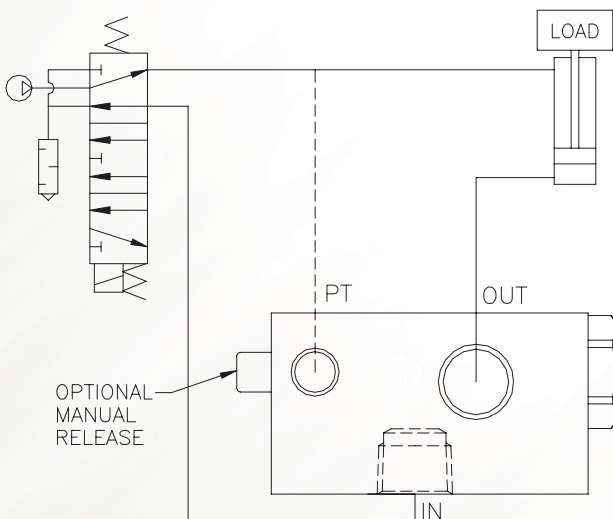
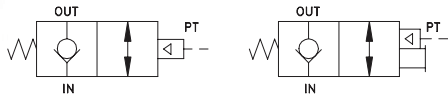
1/2 & 3/4 NPTF Balanced Pilot Operated Check Valves



- Immediate Checking
- Optional Manual Release
- .0000522 cc/min Leak Rate
- Low & High Temp

Basic Operation:

Lock your pneumatic device in position when a pressure drop or total loss of pressure occurs. Manual release for exhausting trapped air before maintaining the system (OSHA Requirement).



Operating Data:

- Max. Pressure: 150 psi
- Min. Pilot Pressure: 40 psi
- 25 psi (see table '-K18')
- Leak Rate: .0000522 cc/min
- Temp. Range: 30-150 F
- 30-350 F (see table '-V')
- Cycle Rate: -40-150 F (see table '-T40')
- Flow Capacity (Cv): 1 cyc./sec. max.
- Cracking Pressure: 3.8
- Service: 1-2 psi
- Properly filtered dry air or lubricated air.

| MODELS | 1/2 NPTF | 3/4 NPTF |
|----------------------|--------------|---------------|
| No Manual Release | B8100 | B12100 |
| Manual Release | B810M | B1210M |
| Flush Manual Release | B81FM | B121FM |

For a lower pilot pressure add (-K18) to the model # (ex. B810M-K18).
 For high temp seals add (-V) to the model # (ex. B810M-V).
 For low temp seal add (-T40) to the model # (ex. B810M-T40).