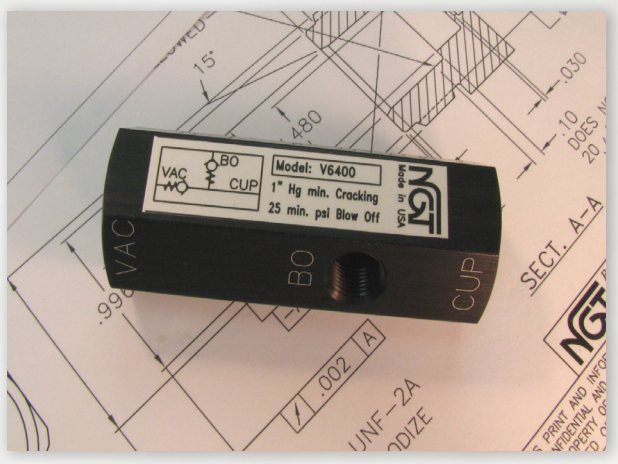


# 3/8 NPTF Vacuum-Loc Valve



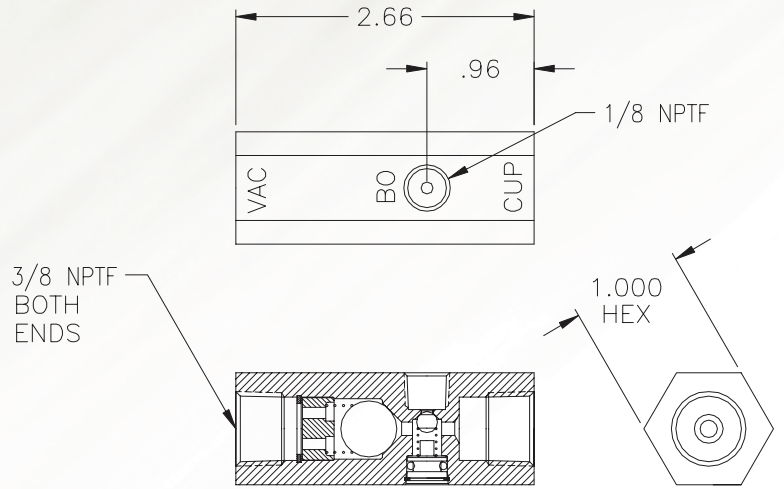
- Air-Tight
- Small Package

## Basic Operation:

Vacuum is applied to the vacuum port in order to pick up a part. Pressure is applied to eject the part from the vacuum cup. The internal check maintains vacuum when the supply is removed.

## Operating Data:

Min Blow Off:	25 psi
Temp. Range:	30-150 F
Vacuum Cracking:	1 in Hg.
Flow Capacity (Cv):	.6
Service:	Properly filtered dry air or lubricated air.



THIS MODEL REPLACES THE V6000

