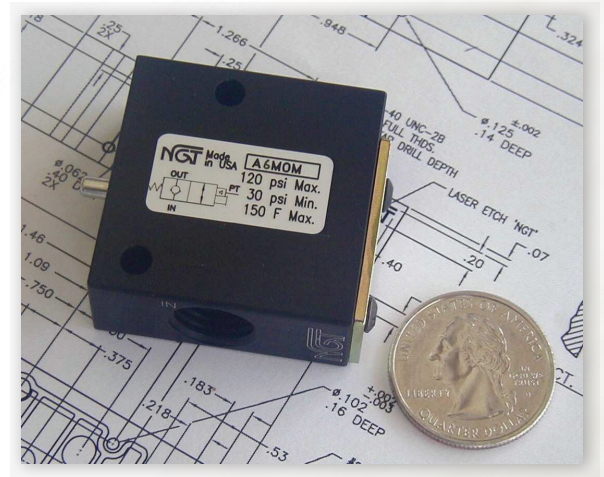
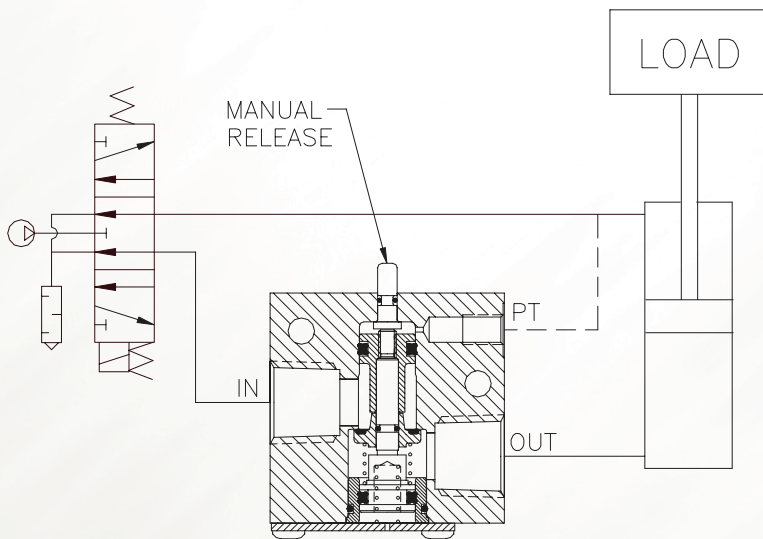
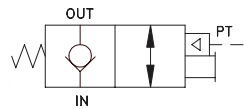
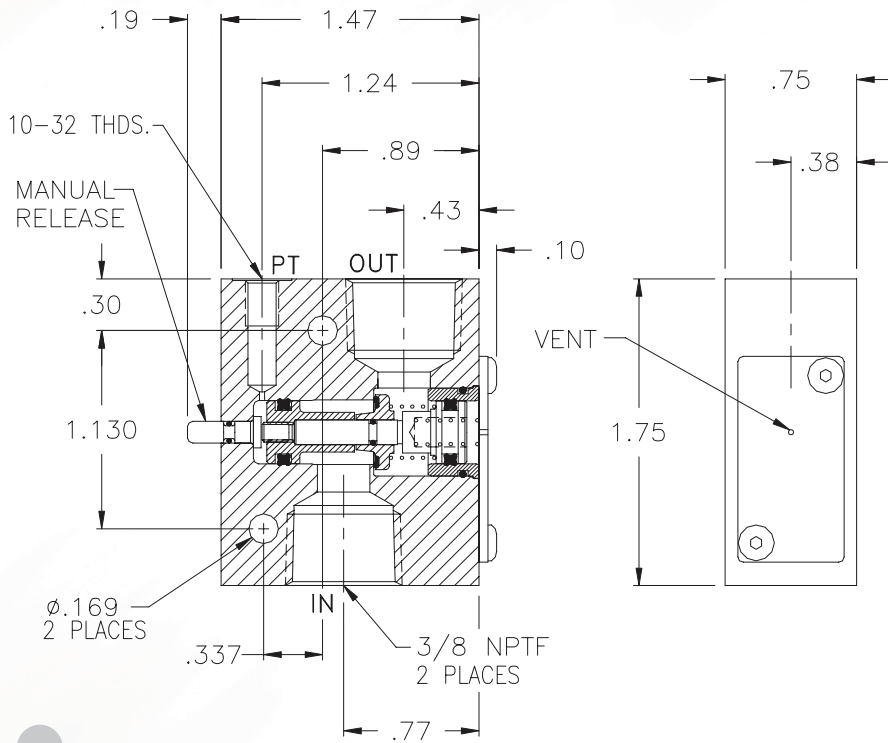


3/8 NPTF Pilot Operated Locking Valves

Patents Pending



- New Smaller Size
- Manual Release
- .000113 cc/min Leak Rate

Basic Operation:

Lock your pneumatic device in position when a pressure drop or total loss of pressure occurs. Manual release for exhausting trapped air before maintaining the system (OSHA Requirement).

Operating Data:

| | |
|----------------------|--|
| Max. Pressure: | 120 psi |
| Min. Pilot Pressure: | 30 psi @ 80 psi |
| Leak Rate: | .000113 cc/min |
| Temp. Range: | 30 - 150 F |
| Cycle Rate: | 1 cyc./sec. max. |
| Flow Capacity (Cv): | 1.2 |
| Cracking Pressure: | 2-3 psi |
| Service: | Properly filtered dry air or lubricated air. |

| | |
|----------------|----------|
| Model No. | 3/8 NPTF |
| Manual Release | A6MOM |