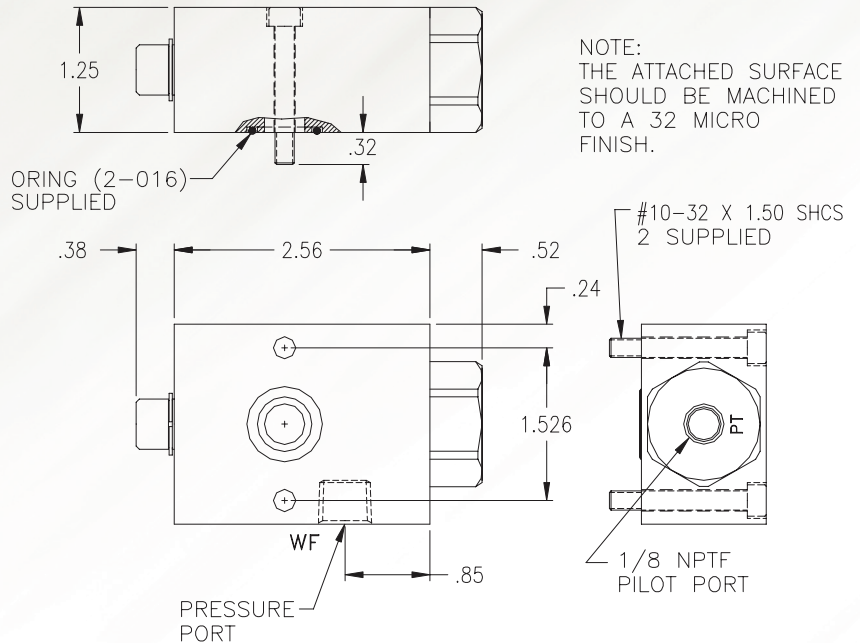
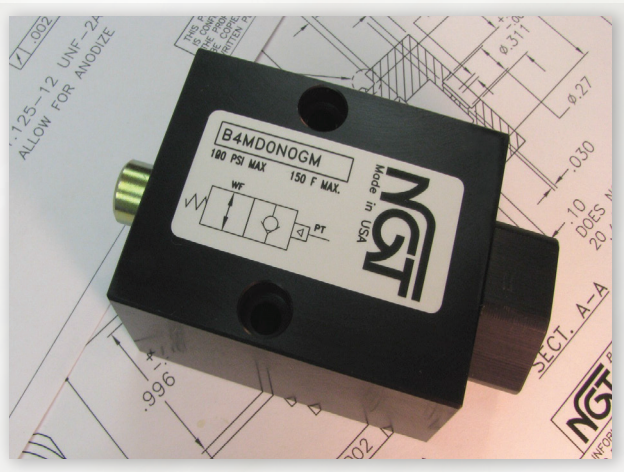


# 1/4 NPTF Direct Mount Normally Open Valve



- Direct Mount
- .000522 cc/min Leak Rate
- High Flow
- Air Pilot to Close
- Checks in One Direction

## Basic Operation:

Normally open valve can be mounted directly to a manifold, air cylinder or any pneumatic device with a flat surface. Use where air tight operation is required. Pilot to close the valve. Internal check allows free flow in one direction.

## Operating Data:

Max. Pressure:	120 psi
Min. Pilot Pressure:	45 psi
Leak Rate:	.0000522 cc/min.
Temp. Range:	30-150 F
Cycle Rate:	1 cyc./sec. max.
Flow Capacity (Cv):	2.6
Cracking Pressure:	1-2 psi
Service:	Properly filtered dry air or lubricated air.

