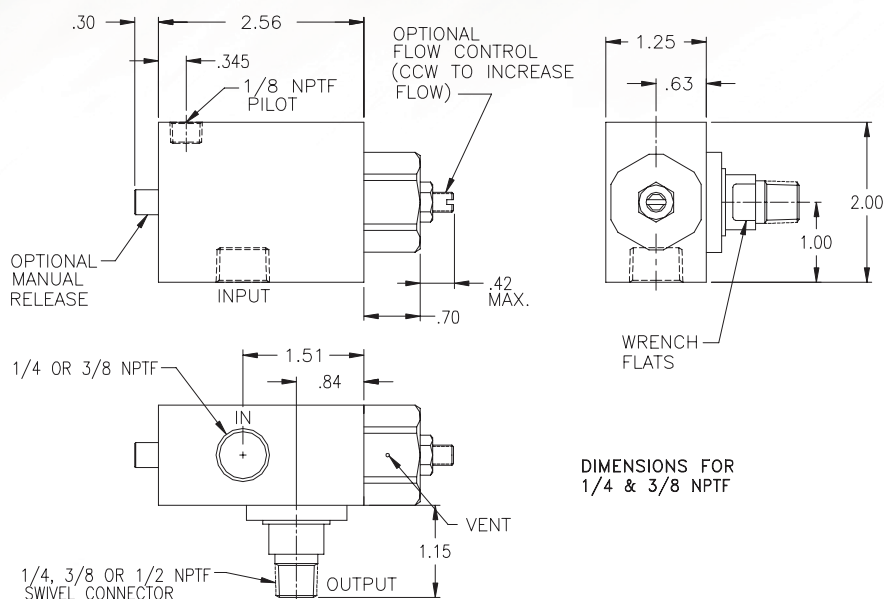
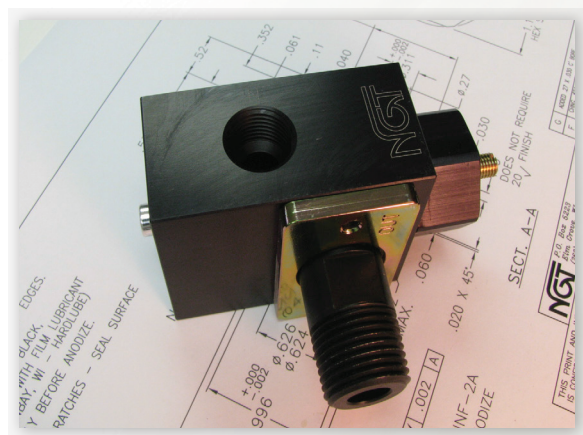


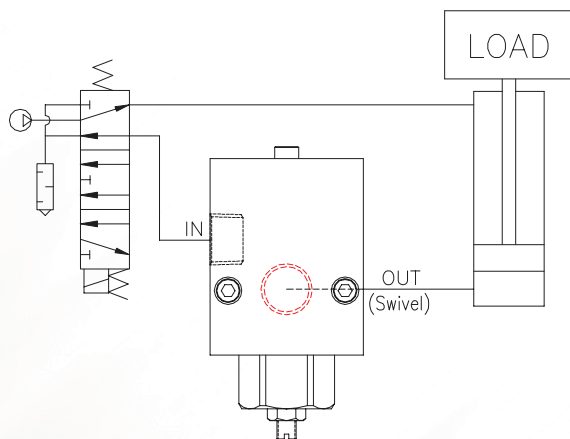
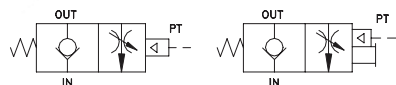
1/4 & 3/8 NPTF Swivel Mount Pilot-Operated Check Valves with Flow Controls



DIMENSIONS FOR 1/4 & 3/8 NPTF



- Optional Manual Release
- .0000522 cc/min Leak Rate
- Swivel Mount
- Lower Loads Slowly



Basic Operation:

Hold position when a pressure drop or total loss of pressure occurs. Fast advance and slow retract to avoid crash landings. Manual release to exhaust trapped air before maintaining the system (OSHA Requirement).

Operating Data:

- Max. Pressure: 150 psi
- Min. Pilot Pressure: 40 psi
- 25 psi (see table)
- Cycle Rate: 1 cyc./sec.
- Temp. Range: 30-150 F
- Flow Capacity (Cv): 2.6 max.
- Cracking Pressure: 1-2 psi
- Service: Properly filtered and lubricated air or dry air.

MODELS	1/4 Swivel	3/8 Swivel	1/2 Swivel
1/4 NPTF Input Port			
No Manual Release	B4S00FL-25	B4S00FL-38	B4S00FL-50
Manual Release	B4S0MFL-25	B4S0MFL-38	B4S0MFL-50
Flush Manual Release	B4SFMFL-25	B4SFMFL-38	B4SFMFL-50
3/8 NPTF Input Port			
No Manual Release	B6S00FL-25	B6S00FL-38	B6S00FL-50
Manual Release	B6S0MFL-25	B6S0MFL-38	B6S0MFL-50
Flush Manual Release	B6SFMFL-25	B6SFMFL-38	B6SFMFL-50
For a lower pilot pressure add (-K18) to the model # (Ex: B6S0MFL-25-K18)			