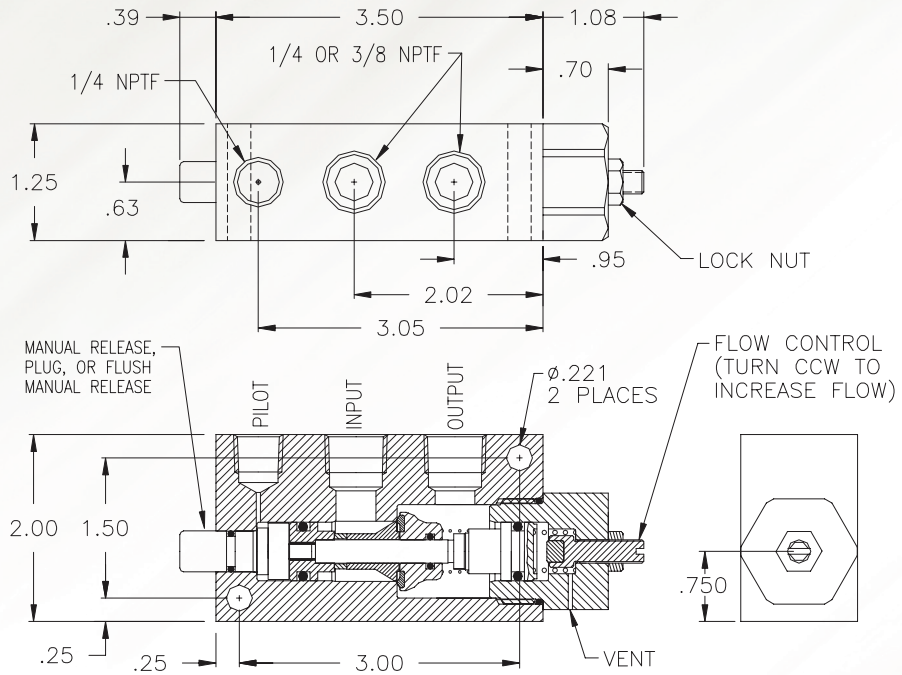
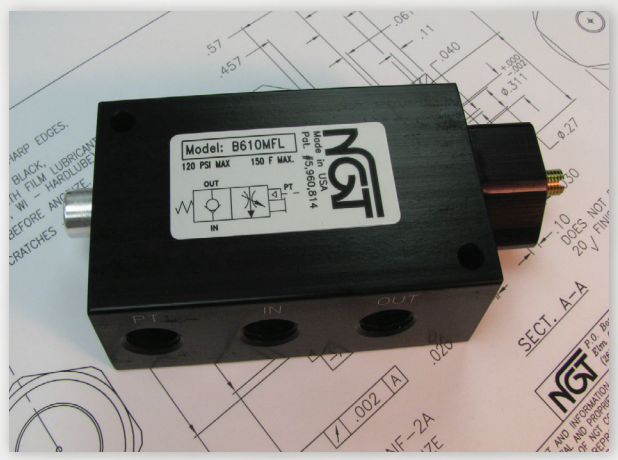


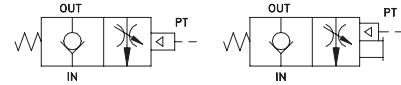
1/4 & 3/8 NPTF Pilot Operated Check Valves with Flow Controls Fast Advance and Slow Retract - Avoid Crash Landings



- Lower Loads Slowly
- Optional Manual Release
- .0000522 cc/min Leak Rate

Basic Operation:

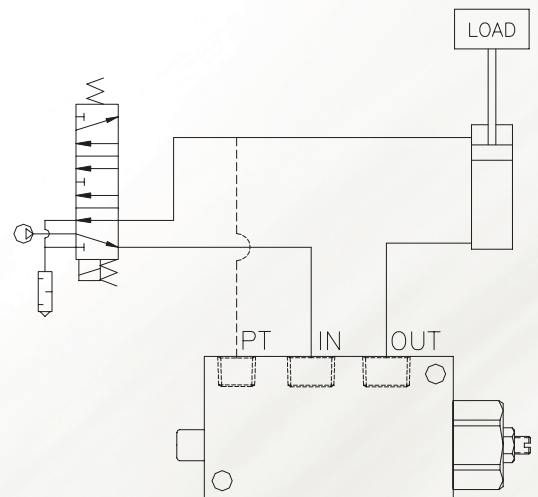
Hold position when a pressure drop or total loss of pressure occurs. Flow control meters air from the output to the input port. Manual release to exhaust trapped air before maintaining the system (OSHA Requirement).



Operating Data:

- Max. Pressure: 150 psi
 Min. Pilot Press.: 40 psi
 25 psi (see table)
 Temp. Range: 30 - 150 F
 Cycle Rate: 1 cycles/sec max.
 Flow Capacity (Cv): 2.6 max.
 Cracking Pressure: 1-2 psi
 Service: Properly filtered dry or lubricated air.

No. of Turns	Equivalent Dia (in.)
.25	.15
.50	.21
.75	.26
1.0	.30
1.25	.34
1.50	.37
1.75	.40



Model No.	1/4 NPTF	3/8 NPTF
No Manual Release	B4100FL	B6100FL
Manual Release	B410MFL	B610MFL
Flush Manual Release	B41FMFL	B61FMFL
For a lower pilot pressure add (-K18) to the model # (ex. B610MFL-K18).		