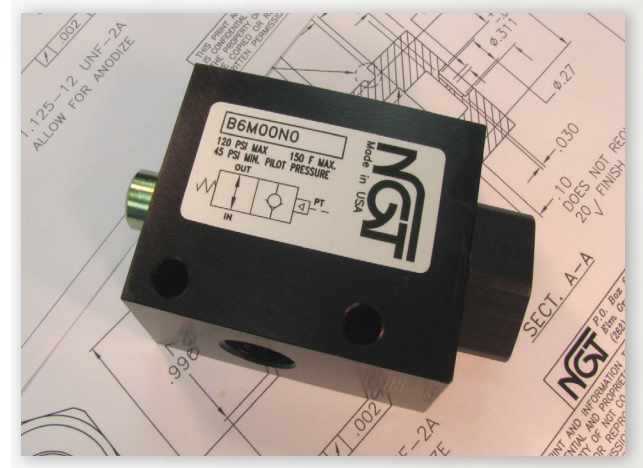
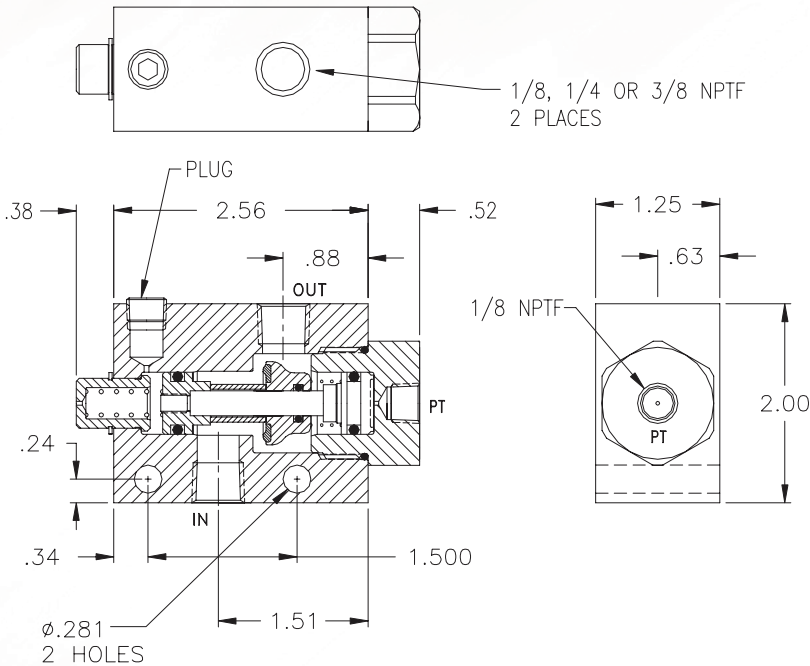


1/8, 1/4 & 3/8 NPTF 2-Way Normally Open, Pilot to Close with Floating Check



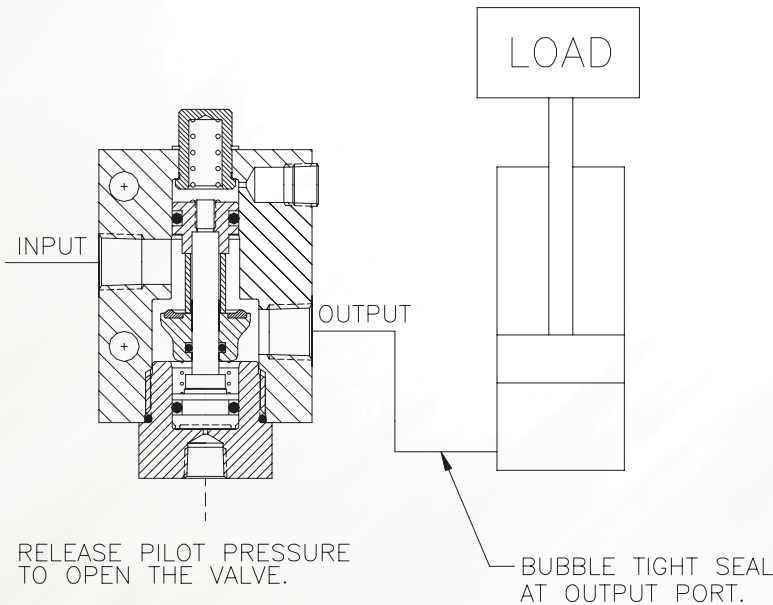
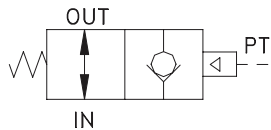
- .000052 cc/min Leak Rate
- Pilot to Close
- Checks in One Direction

Basic Operation:

Normally open valve that closes when pressure is applied to the pilot port. To open the valve, release the pilot pressure. Internal check allows free flow from input to output.

Operating Data:

- Max. Pressure: 120 psi
- Pilot to Close: 45 psi min.
- Leak Rate: .0000522 cubic cm/min
- Temp. Range: -20 F to 150 F
- Cycle Rate: 1 cyc./sec. max.
- Flow Capacity (Cv): 1.7 (1/8 model)
2.6 (1/4 and 3/8 models)
- Cracking Pressure: 1-2 psi
- Service: Properly filtered dry air or lubricated air.



MODELS		
1/8 NPFT	1/4 NPFT	3/8 NPFT
B2M00N0	B4M00N0	B6M00N0